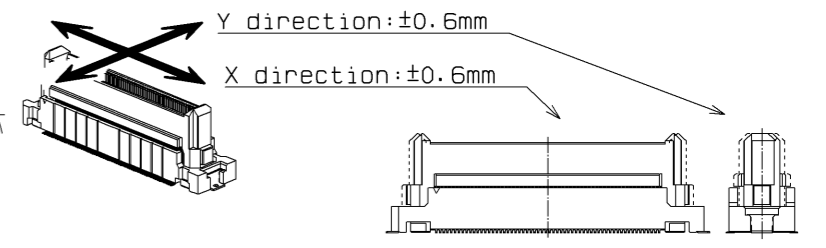
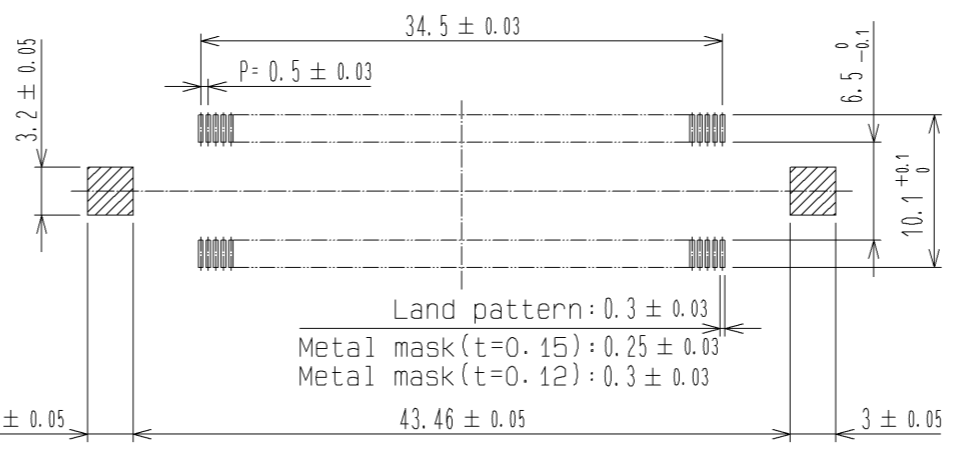
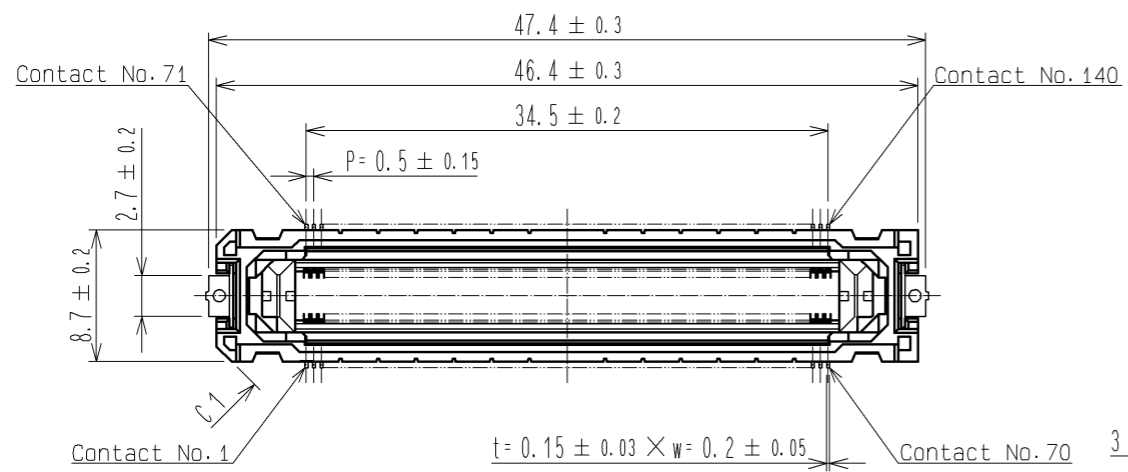


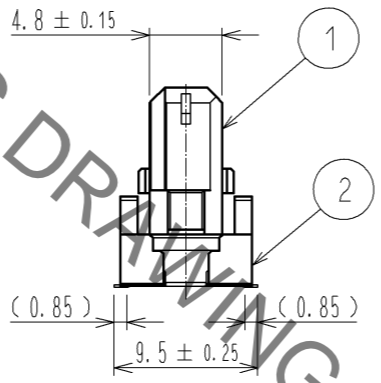
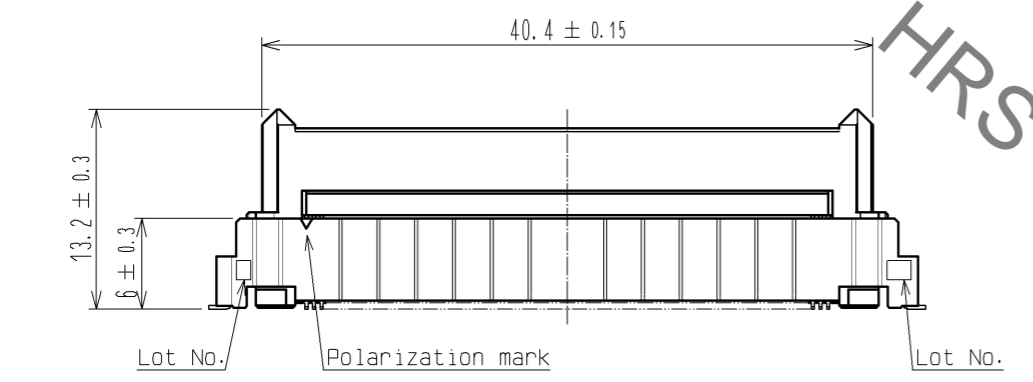
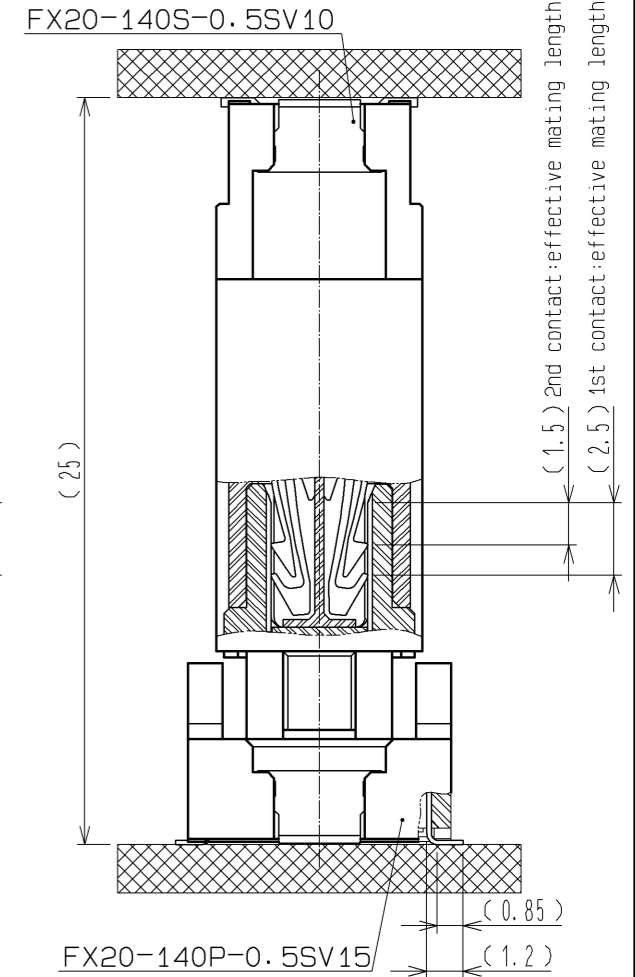
Jul.1.2022 Copyright 2022 HIROSE ELECTRIC CO., LTD. All Rights Reserved.
 In case of consideration for using Automotive equipment / device which demand high reliability, kindly contact our sales window correspondents.

Recommended land pattern dimension of PCB

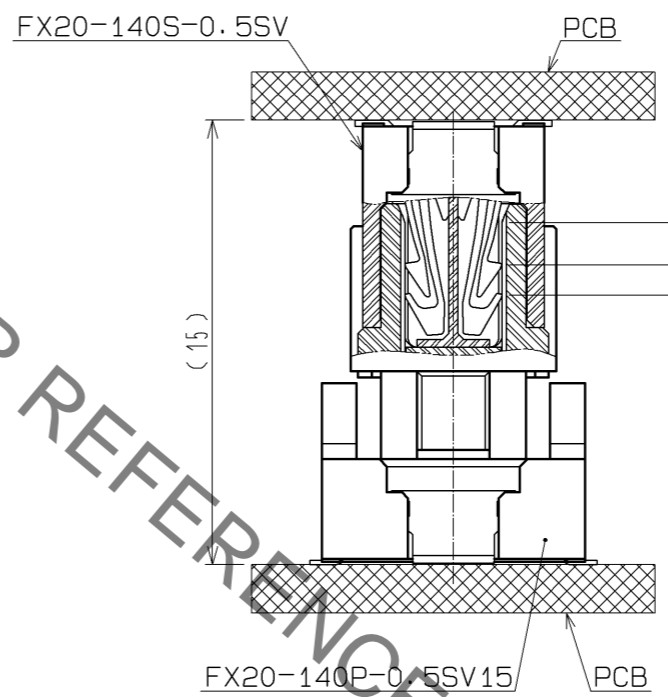
FLOATING RANGE



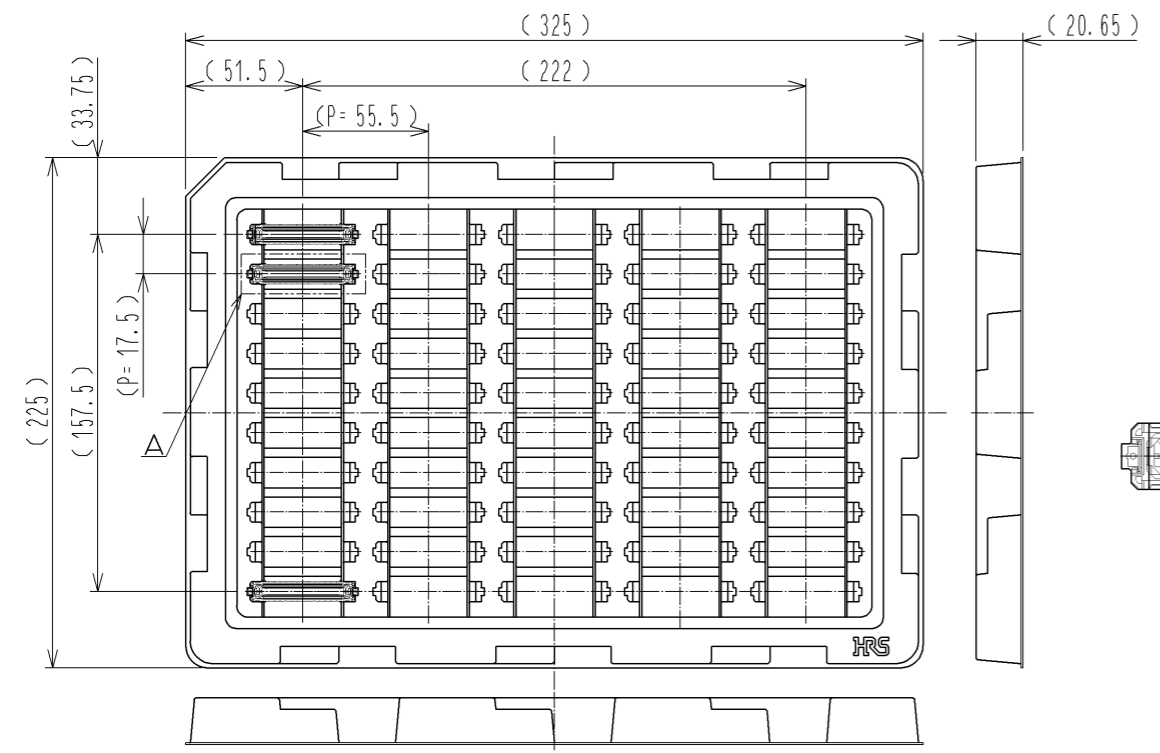
Drawing for mating (No scale)



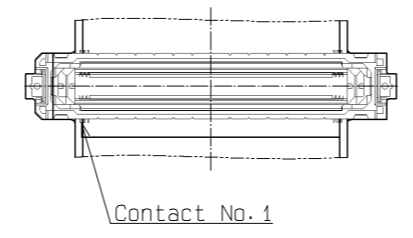
Drawing for mating (No scale)



Drawing for packing (No scale)



A (1:1)



- 1 Lead CO-Planarity is 0.1mm MAX.
- 2 This is packaged in tray. (50pcs/tray)
- 3 Floating range of this connector is ±0.6mm MAX.
- 4 Blemish and hit mark can be occurred through out the manufacturing process which doesn't affect quality level.
- 5 Please note that excessive wrenching force could damage this connector. Please refer to the guideline for detailed regulations of the mating method.
- 6 The dimensions in parentheses are for references.

2	POLYAMIDE	BLACK	UL94V-0	4	BRASS	TIN-PLATING 1 μm		
1	POLYAMIDE	BLACK	UL94V-0	3	COPPER ALLOY	CONTACT AREA:GOLD 0.1 μm		
						LEAD AREA :GOLD 0.03 μm		
						UNDER PLATING:NICKEL 1 μm		
NO.	MATERIAL	FINISH	REMARKS	NO.	MATERIAL	FINISH . REMARKS		
UNITS	mm	SCALE	2 : 1	COUNT	DESCRIPTION OF REVISIONS	DESIGNED	CHECKED	DATE
APPROVED : HS. OKAWA		13.10.07		DRAWING NO.		EDC3-336324-00		
CHECKED : KI. HIROKAWA		13.10.07		PART NO.		FX20-140P-0.5SV15		
DESIGNED : TS. OONO		13.10.07		CODE NO.		CL570-1006-4-00		
DRAWN : TS. OONO		13.10.07						