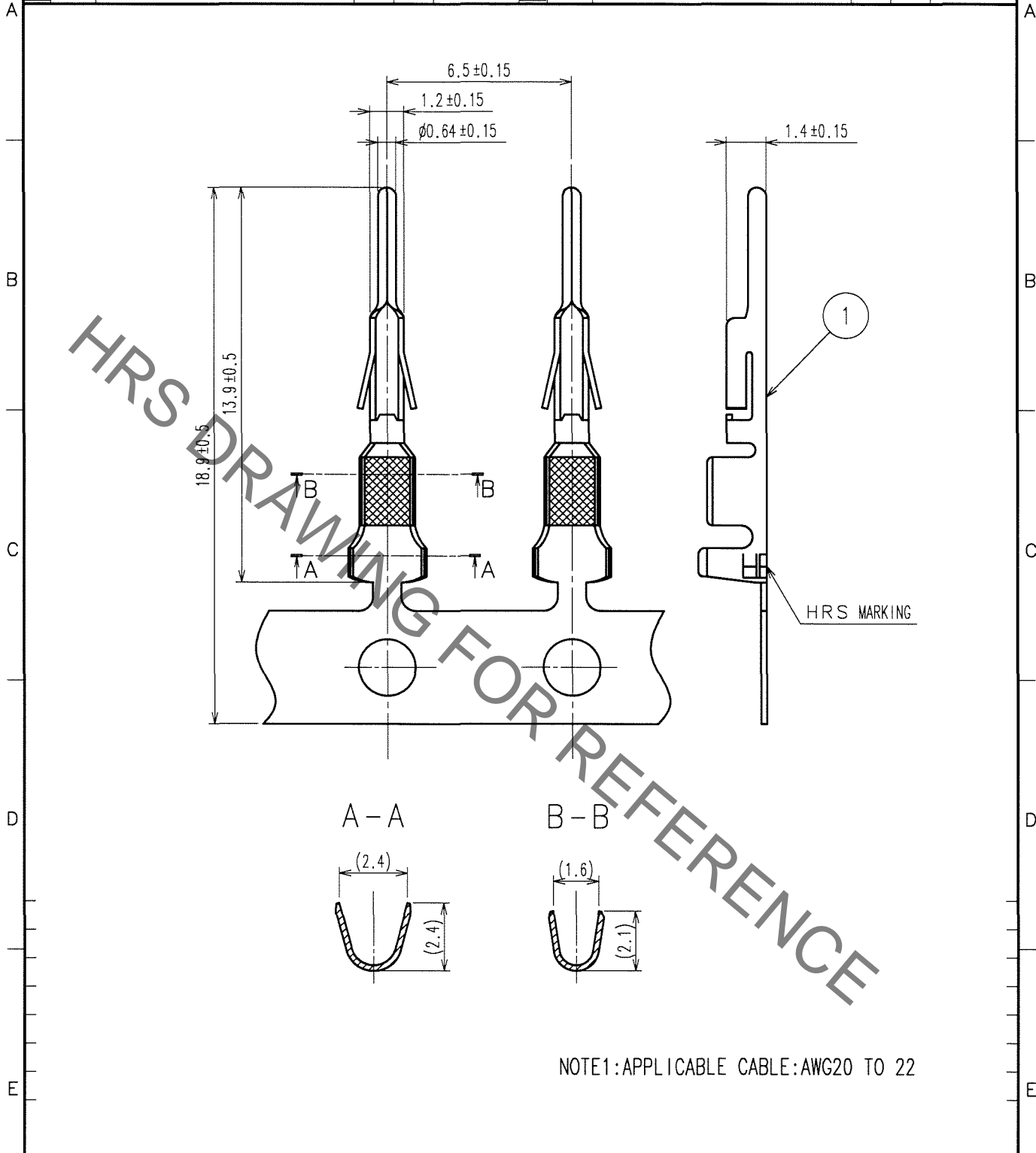


Jun.1.2022 Copyright 2022 HIROSE ELECTRIC CO., LTD. All Rights Reserved.
 In case of consideration for using Automotive equipment / device which demand high reliability, kindly contact our sales window correspondents.

1			2			3			4					
COUNT	DESCRIPTION OF REVISIONS	BY	CHKD	DATE	COUNT	DESCRIPTION OF REVISIONS	BY	CHKD	DATE	COUNT	DESCRIPTION OF REVISIONS	BY	CHKD	DATE
△					△					△				
△					△					△				
△					△					△				



NOTE1: APPLICABLE CABLE: AWG20 TO 22

NO. MATERIAL FINISH, REMARKS		1 PHOSPHOR BRONZE TIN PLATED 1μ m min	
CODE NO. (OLD)		NO. MATERIAL FINISH, REMARKS	
DRAWN A.Miura '06.04.11		DESIGNED N. Hirose '06.04.13	
CHECKED T. Umehara '06.04.13		APPROVED J. Ona '06.04.18	
RELEASED			
DRAWING NO. EDC4-020431-01		PART NO. DF1B-2022PCF	
SCALE 5 : 1		CODE NO. CL541-0259-9	
UNITS mm			
HRS HIROSE ELECTRIC CO., LTD.			

TO

