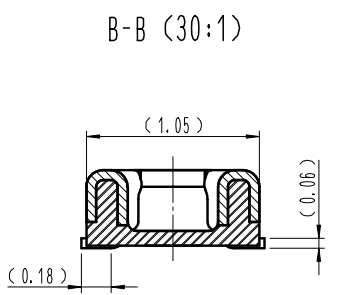
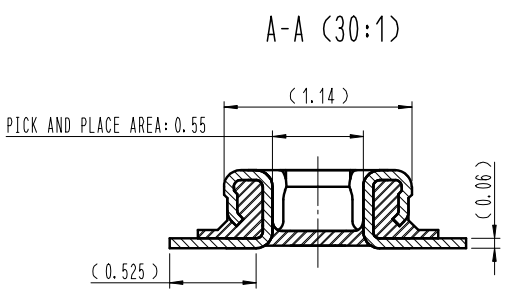
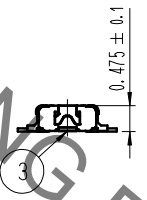
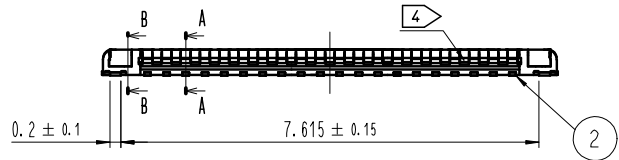
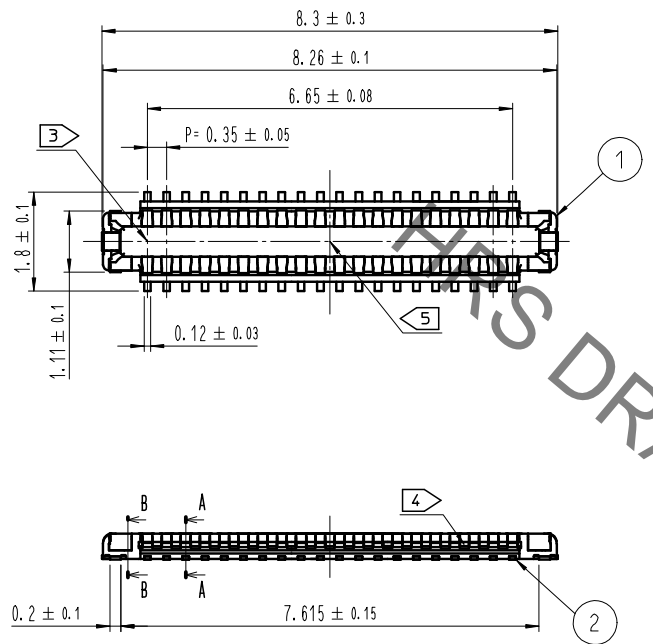


Dec.1.2021 Copyright 2021 HIROSE ELECTRIC CO., LTD. All Rights Reserved.
 use of consideration for using Automotive equipment / device which demand high reliability, kindly contact our sales window correspond

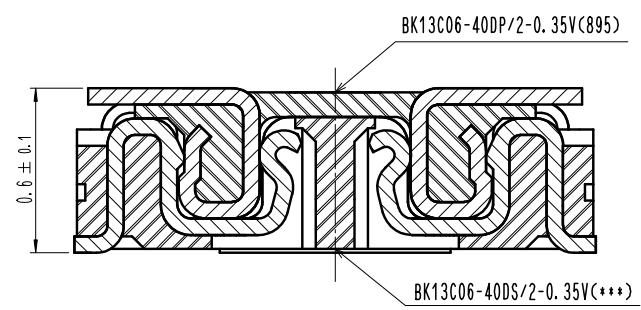


NOTE

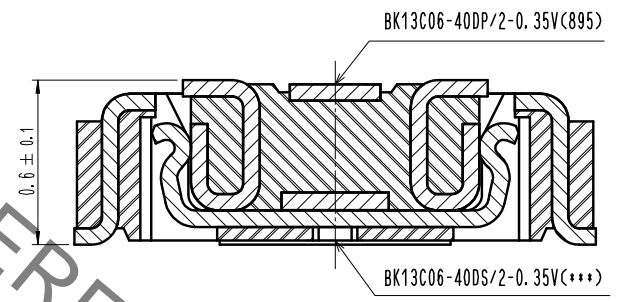
1. ALL LEAD CO-PLANARITY SHALL BE 0.08mm MAX.
2. CONTACT PLATING SPECIFICATIONS
 CONTACT AREA : GOLD 0.05 μm MIN
 SMT LEAD : GOLD 0.05 μm MIN
 UNDERPLATING : NICKEL 1 μm MIN
 (SURFACE : SEALING)
3. CAV NO. ARE INDICATED IN APPROX POSITION SHOWN.
4. A PART OF THE WALL COULD BE NOTCHED
5. DENT EXISTS IN THE INDICATED AREA FOR MANUFACTURING CONVENIENCE.

COUNT	DESCRIPTION OF REVISIONS	B	Y	CHKD	DATE	COUNT	DESCRIPTION OF REVISIONS	B	Y	CHKD	DATE
△						△					
△						△					
△						△					

ENGAGEMENT FIGURE (50:1)



SIGNAL CONTACT



POWER CONTACT

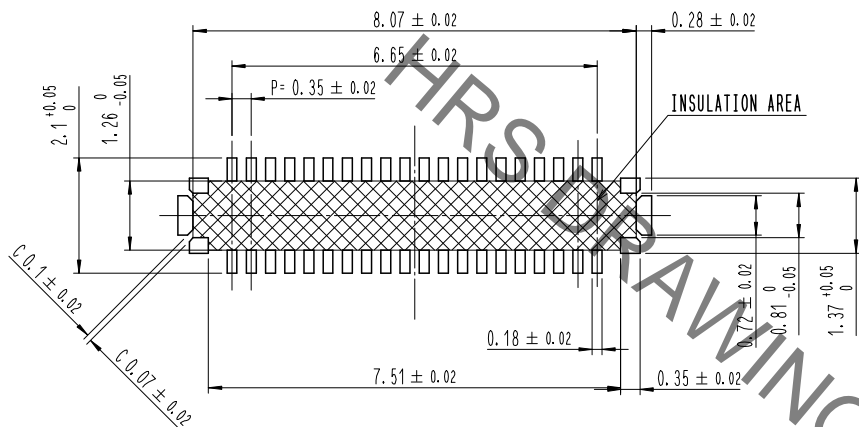
4	PS	CLEAR (EMBOSSED CARRIER TAPE)			
3	COPPER ALLOY	2			
2	COPPER ALLOY	2	6	PS	BLACK (PLASTIC REEL)
1	LCP	UL94 V-0, BLACK	5	POLYESTER	CLEAR (COVER TAPE)
NO.	MATERIAL	FINISH, REMARKS	NO.	MATERIAL	FINISH, REMARKS

REMARKS		DRAWN	DESIGNED	CHECKED	APPROVED	RELEASED
		J. M. YEOM	J. M. YEOM	H. W. JO	H. W. JO	20.09.25
		20.09.25	20.09.25	20.09.25	20.09.25	20.09.25

CODE NO. (OLD)		DRAWING NO.	EDC3-632912-95	PART NO.	BK13C06-40DP/2-0.35V(895)
	SCALE	10:1		CODE NO.	CL 6665-0009-0-895
	UNITS	mm			
HRS HIROSE KOREA CO., LTD.					1/3

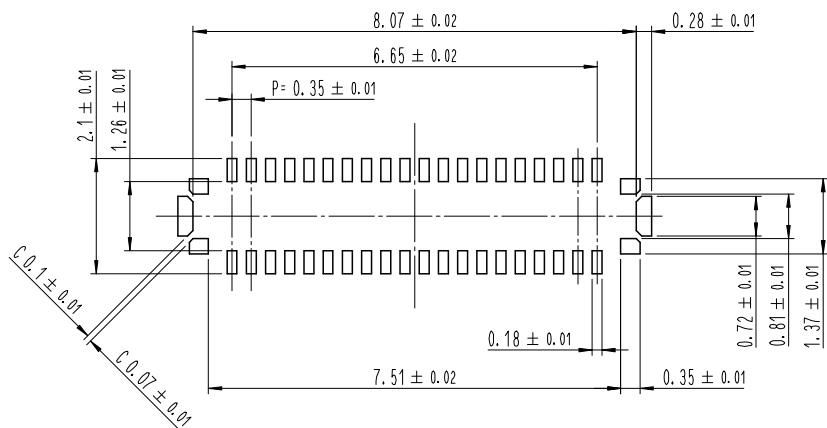
Dec.1.2021 Copyright 2021 HIROSE ELECTRIC CO., LTD. All Rights Reserved.
 use of consideration for using Automotive equipment / device which demand high reliability, kindly contact our sales window correspond

7 RECOMMENDED PCB LAYOUT

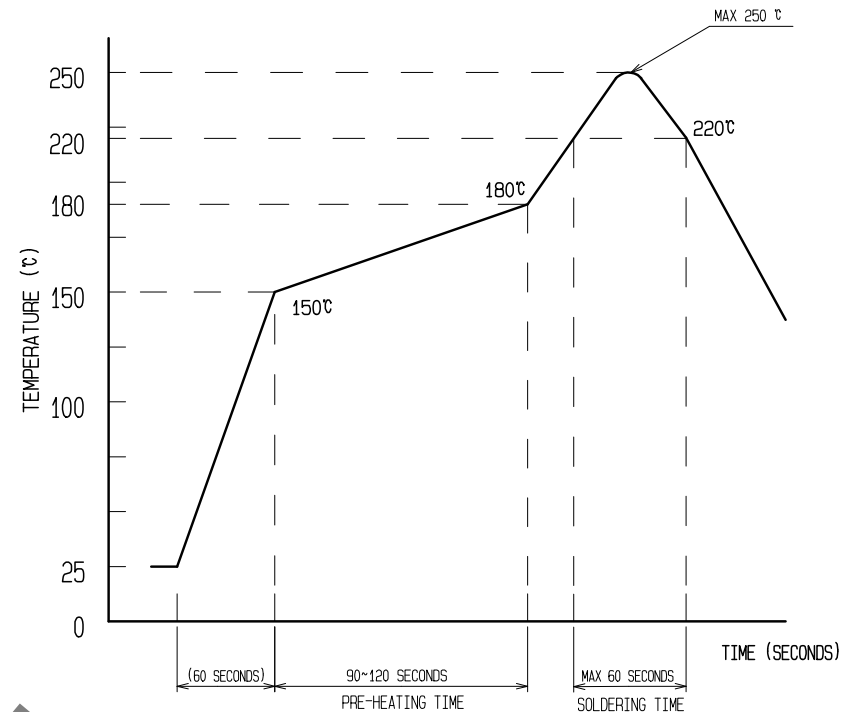


RECOMMENDED METAL MASK DIMENSIONS

METAL MASK THICKNESS : 80 μm



6 RECOMMENDED REFLOW TEMPERATURE PROFILE USING LEAD-FREE SOLDER PASTE.



REFLOW METHOD : N₂ REFLOW
 NUMBER OF REFLOW CYCLES : 2 CYCLES MAX.
 1) REFLOW TIME
 DURATION ABOVE 220°C, 60 SEC MAX.
 (PEAK TEMPERATURE : 250°C MAX)
 2) PRE-HEAT TIME
 PRE-HEAT TEMPERATURE(MIN): 150°C
 PRE-HEAT TEMPERATURE(MAX): 180°C
 PRE-HEAT TIME: 90-120 SEC.

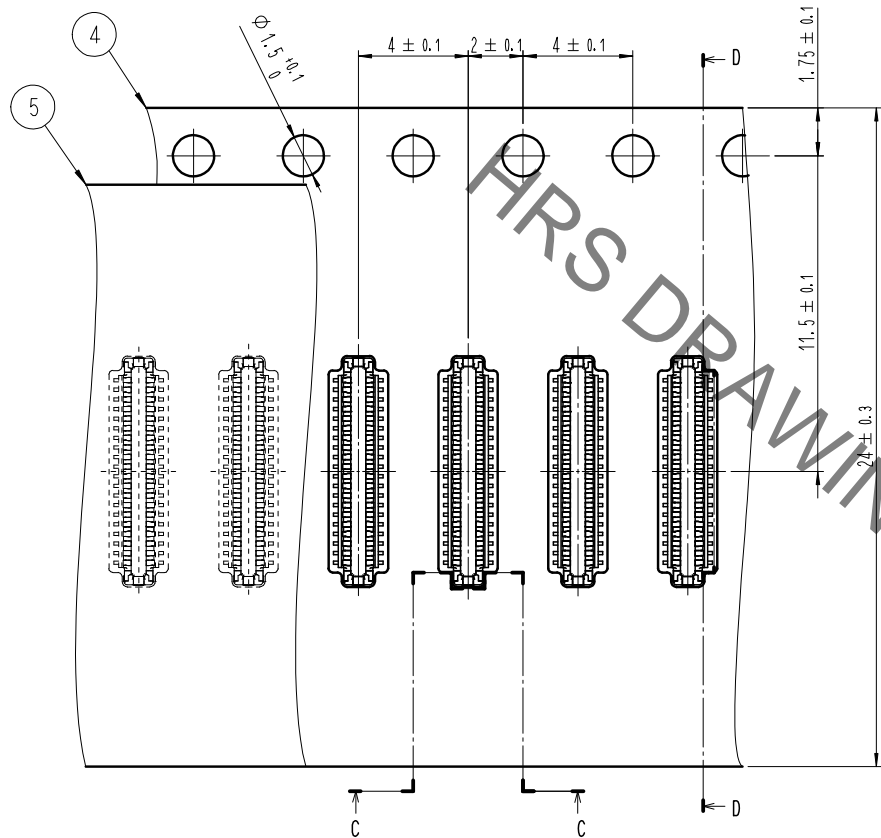
- 6. THIS TEMPERATURE PROFILE IS PER THE CONDITIONS SHOWN ABOVE. ADDITIONAL FACTORS SUCH AS SOLDER PASTE TYPE, PCB SIZE AND OTHER MOUNTED COMPONENTS COULD AFFECT THE PROFILE. THEREFORE, A THOROUGH EVALUATION OF MOUNTING CONDITION IS REQUIRED PRIOR TO PRODUCTION. TEMPERATURE IS MEASURED AT CONTACT LEAD.
- 7. PLEASE CONTACT US IN CASE YOU WILL MAKE DIFFERENT SETTINGS FROM OUR RECOMMENDATION.
- 8. THIS PRODUCT SATISFIES HALOGEN FREE REQUIREMENTS DEFINED AS 900ppm MAXIMUM CHLORINE, 900ppm MAXIMUM BROMINE, AND 1500ppm MAXIMUM TOTAL OF CHLORINE AND BROMINE.
- 9. THIS PRODUCT COMPLY WITH RoHS.

	DRAWING NO.	EDC3-632912-95	PART NO.	BK13C06-40DP/2-0.35V(895)		
	SCALE	10:1	CODE NO	CL 6665-0009-0-895		
UNITS	HIROSE KOREA CO., LTD.			<table border="1" style="float: right;"> <tr> <td>2</td> <td>3</td> </tr> </table>	2	3
2	3					

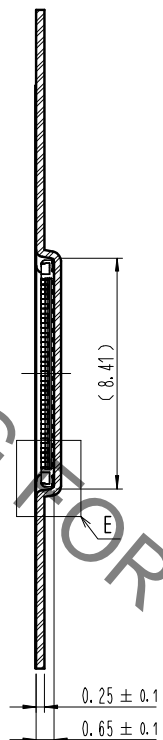
Dec.1.2021 Copyright 2021 HIROSE ELECTRIC CO., LTD. All Rights Reserved.
 use of consideration for using Automotive equipment / device which demand high reliability, kindly contact our sales window correspond

EMBOSSED CARRIER TAPE PACKAGING (5:1)

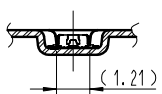
STYLE AND DIMENSION OF REEL (FREE)



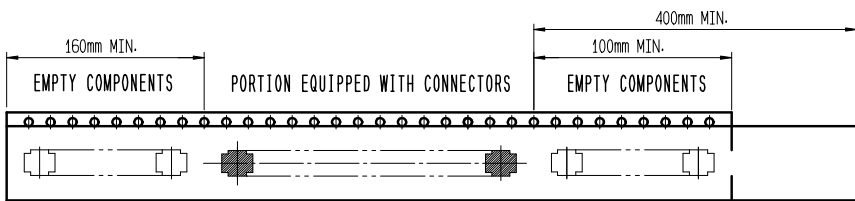
D-D (5:1)



C-C (5:1)

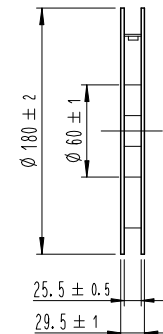
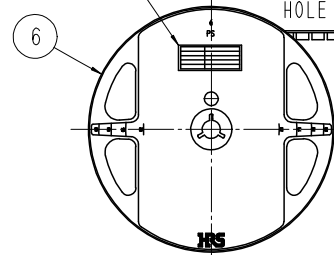


DIRECTION OF UNREELING \rightarrow



TAPING(FREE)

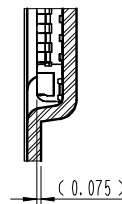
Part No. LABEL



DETAIL OF PART No. LABEL

SUPPLIER	HIROSE
QUANTITY	1,000
PART NO.	BK13C06-40DP/2-0.35V(895)
CODE NO.	CL 6665-0009-0-895
DATE OF MANUFACTURED	年月日
生産月日	年月日
図番	** ** *
品名	BK13C06-40DP/2-0.35V(895)
納入数量	1,000個
納入者	HIROSE KOREA

E (10:1)



10 . PER REEL 1,000 CONNECTORS.

11 . THE DIMENSIONS IN PARENTHESES ARE FOR REFERENCE.

12 \rightarrow REFER TO JIS C 0806, IEC-60286-3 (PACKAGING OF COMPONENTS FOR AUTOMATIC HANDLING)

DRAWING NO. EDC3-632912-95	PART NO. BK13C06-40DP/2-0.35V(895)	SCALE 10:1	UNITS mm	HIROSE KOREA CO., LTD.	CODE NO. CL 6665-0009-0-895	3/3

Mouser Electronics

Authorized Distributor

Click to View Pricing, Inventory, Delivery & Lifecycle Information:

[Hirose Electric:](#)

[BK13C06-40DP/2-0.35V\(895\)](#)