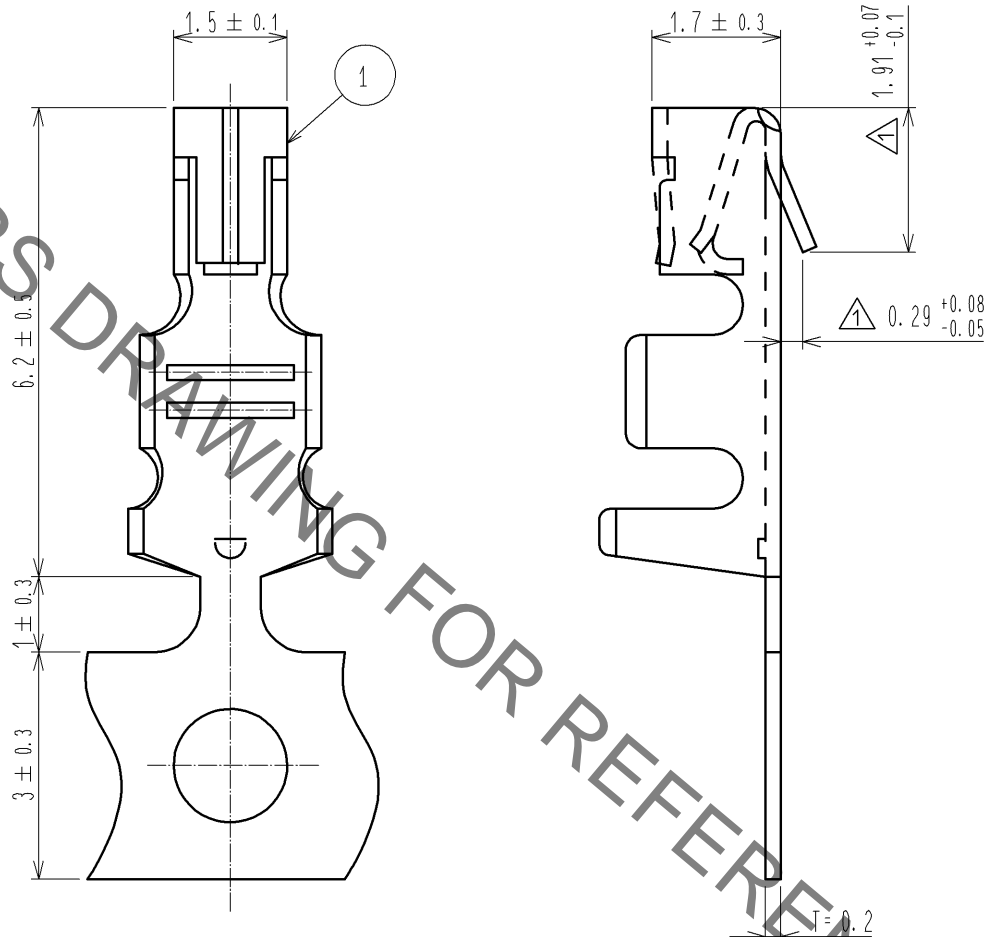


Jan.1.2022 Copyright 2022 HIROSE ELECTRIC CO., LTD. All Rights Reserved.
 In case of consideration for using Automotive equipment / device which demand high reliability, kindly contact our sales window correspondents.

ELV. RoHS COMPLIANT



NOTE1. PER REEL: 10000 CONTACTS.
 2 THE OUTER DIAMETER OF THE REEL.
 (REFER TO RIGHT FIG.)

2 THE OUTER DIAMETER OF THE REEL

1	PHOSPHOR BRONZE	TIN AND AU PLATING						
NO.	MATERIAL	FINISH .	REMARKS	NO.	MATERIAL	FINISH .	REMARKS	
UNITS		SCALE	COUNT	DESCRIPTION OF REVISIONS		DESIGNED	CHECKED	DATE
mm		10: 1	2	DIS-T-004199		NA. HARUBAYASHI	HS. OZAWA	14. 12. 16
HIROSE ELECTRIC CO., LTD.		APPROVED	AR. SHIRAI	11. 08. 05	DRAWING NO. EDC4-166427-01			
		CHECKED	NA. HARUBAYASHI	11. 08. 05	PART NO. GT8E-2022SCF(01)			
		DESIGNED	YN. KADOTA	11. 08. 05	CODE NO. CL758-0033-4-01			
		DRAWN	YN. KADOTA	11. 08. 05	1/1			