

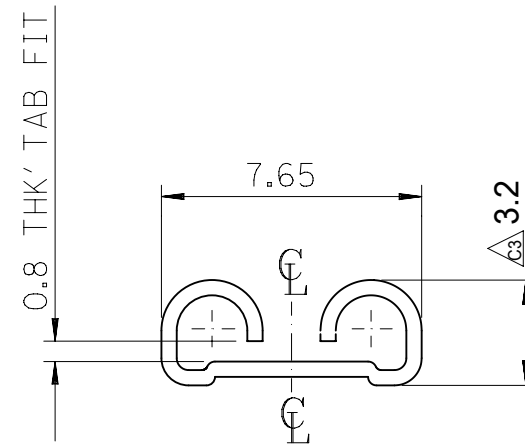
NOTES

1. MATERIAL : BRASS , 0.45mm THICKNESS
2. PART NO. AND FINISH

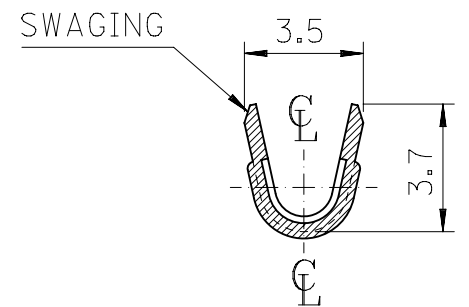
PART NO.	MATERIAL NO.	FINISH	TRADE MARK
35725-2411	357252411	POST PLATED TIN	H MK2
35725-2410	357252410	POST PLATED TIN	MK2

H (TRADE MARK) : HIGH TENSION TIN-PLATED PRODUCT

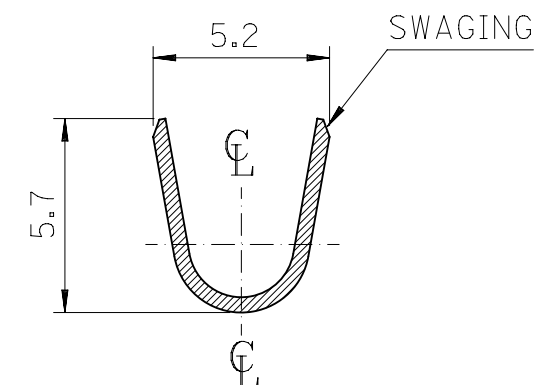
3. APPLICABLE WIRE RANGE : AWG #18 - #14
4. RECOMMENDED LENGTH OF WIRE STRIP IS 6.0-6.8mm



VIEW "A"



SEC' : B-B''



SEC' : C-C''

SYMBOLS		THIS DRAWING CONTAINS INFORMATION THAT IS PROPRIETARY TO MOLEX ELECTRONIC TECHNOLOGIES, LLC AND SHOULD NOT BE USED WITHOUT WRITTEN PERMISSION		CURRENT REV DESC:		molex	
▽ = 0	MM	SCALE	4.5:1	EC NO: 628958		.250 SLIP-ON RECEPTACLE TERMINAL (SLOT TYPE)	
▽ = 0	GENERAL TOLERANCES (UNLESS SPECIFIED)			DRWN: AKUMAR19 2018/08/21			
▽ = 0	4 PLACES ±	MM	INCH	CHK'D: GGA 2020/01/16		PRODUCT CUSTOMER DRAWING	
▽ = 0	3 PLACES ±			APPR: GGA 2020/01/16			
▽ = 0	2 PLACES ± 0.2 ±			INITIAL REVISION:		DOCUMENT NUMBER	
▽ = 0	1 PLACE ± 0.3 ±			DRWN: HIMOON 2012/04/25		SD-35725-002	
▽ = 0	ANGULAR TOL ± °			APPR:		DOC TYPE DOC PART REVISION	
▽ = 0	DRAFT WHERE APPLICABLE MUST REMAIN WITHIN DIMENSIONS	THIRD ANGLE PROJECTION		DRAWING		MATERIAL NUMBER	
▽ = 0		A3-SIZE		SERIES		CUSTOMER	
		35725		SEE TABLE		GENERAL MARKET	
		1 OF 1				SHEET NUMBER	