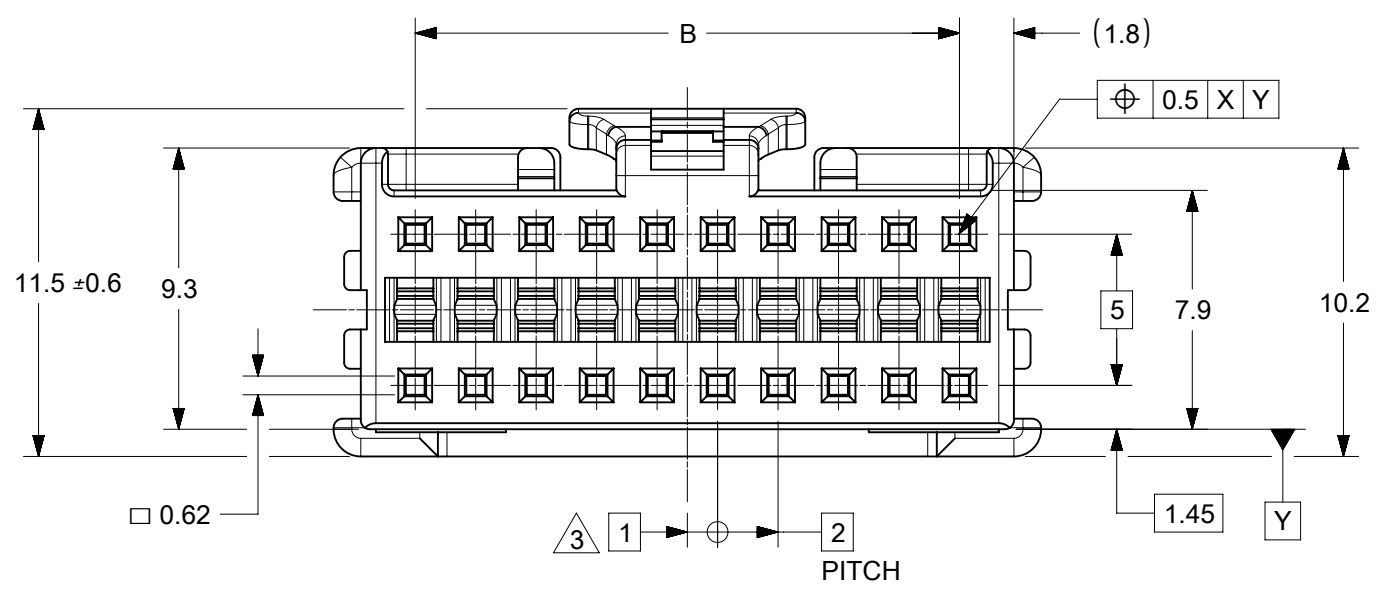
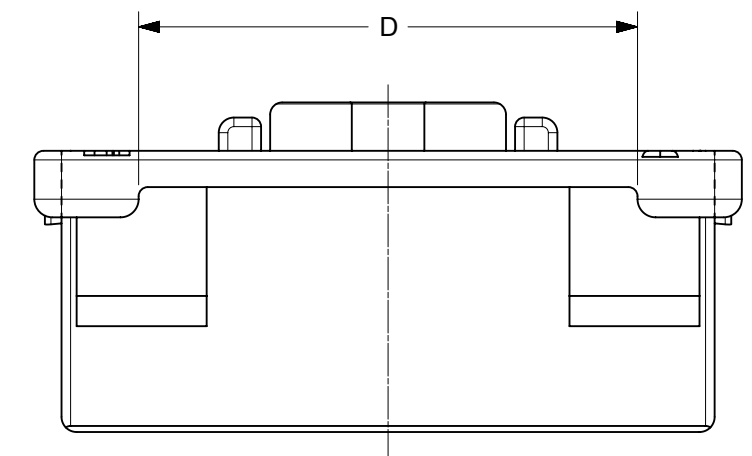
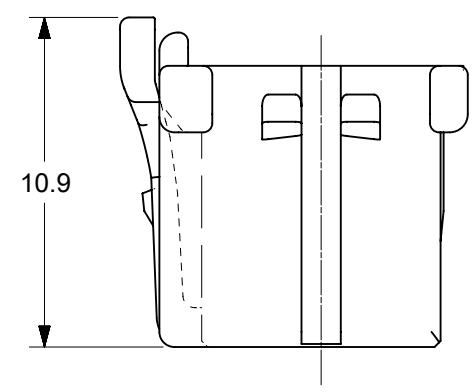
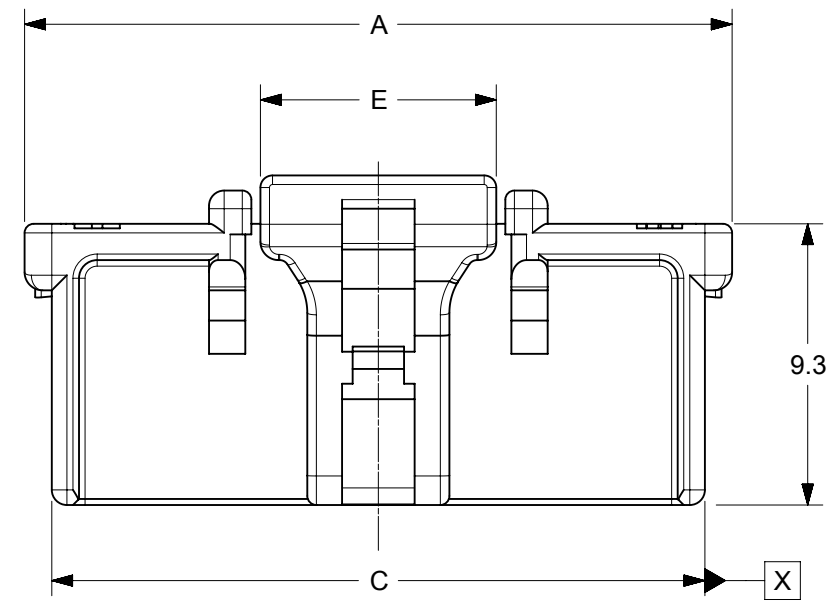


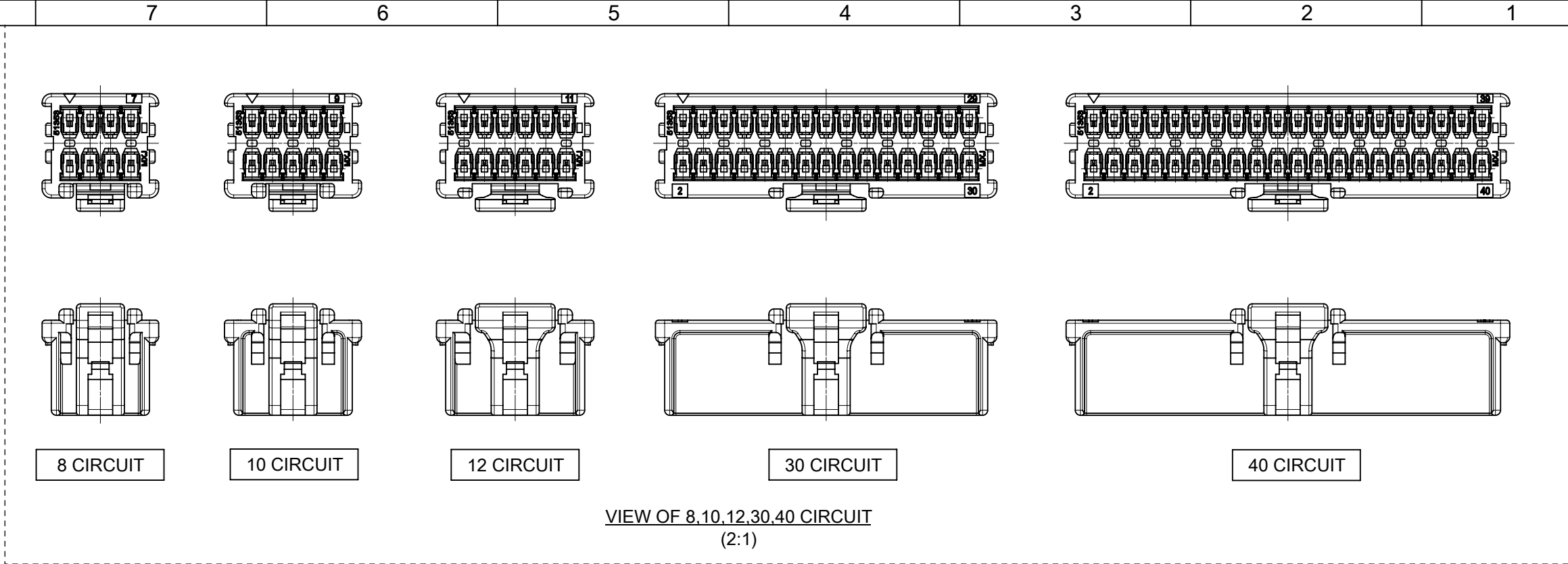
NOTES :
 1. APPLICABLE TERMINAL : SERIES 56134, 59370
 2. MATE WITH : SERIES 55917, 55959
 3. APPLY FOR (CIRCUIT/2)=EVEN
 4. MATERIAL NO. **51353-**0***

NATURAL(WHITE)	0
BLACK	1
RED	2
YELLOW	3
BLUE	4
PINK	5
GREEN	6
BROWN	7
ORANGE	8
VIOLET	9

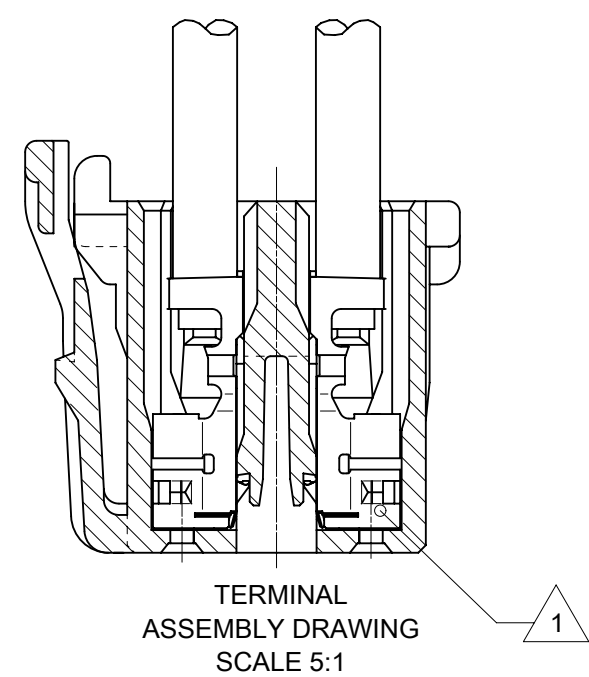
5. LOCK SIDE CKT.NO. DIDN'T INDICATED 8~14CKT, INDICATE 16~40CKT.
 6. MATERIAL : 66 NYLON, UL94V-0



SYMBOLS	THIS DRAWING CONTAINS INFORMATION THAT IS PROPRIETARY TO MOLEX ELECTRONIC TECHNOLOGIES, LLC AND SHOULD NOT BE USED WITHOUT WRITTEN PERMISSION		
	DIMENSION UNITS	SCALE	CURRENT REV DESC: REMASTERED IN ECTR
▽ = 0	mm	NTS	
▽ = 0	GENERAL TOLERANCES (UNLESS SPECIFIED)		
▽ = 0	ANGULAR TOL	± 3.0°	
▽ = 0	4 PLACES	±	EC NO: 632022
▽ = 0	3 PLACES	±	DRWN: SS06 2020/01/13
▽ = 0	2 PLACES	± 0.2	CHK'D: SS06 2020/02/13
▽ = 0	1 PLACE	± 0.2	APPR: ISHWARG 2020/02/14
▽ = 0	0 PLACES	± 0.2	INITIAL REVISION:
■ = 0	DRAFT WHERE APPLICABLE MUST REMAIN WITHIN DIMENSIONS		
▽ = 0	THIRD ANGLE PROJECTION	DRAWING	SERIES
		B-SIZE	51353
DOCUMENT NUMBER		DOC TYPE	DOC PART
SD-51353-002		PSD	001
MATERIAL NUMBER		CUSTOMER	SHEET NUMBER
SEE CHART		GENERAL MARKET	1 OF 2



VIEW OF 8.10.12.30.40 CIRCUIT
(2:1)



TERMINAL ASSEMBLY DRAWING
SCALE 5:1

40	51353-400*	43.4	38	41.6	36.5	7.8
38	51353-380*	41.4	36	39.6	34.5	7.8
36	51353-360*	39.4	34	37.6	32.5	7.8
34	51353-340*	37.4	32	35.6	30.5	7.8
32	51353-320*	35.4	30	33.6	28.5	7.8
30	51353-300*	33.4	28	31.6	26.5	7.8
28	51353-280*	31.4	26	29.6	24.5	7.8
26	51353-260*	29.4	24	27.6	22.5	7.8
24	51353-240*	27.4	22	25.6	20.5	7.8
22	51353-220*	25.4	20	23.6	18.5	7.8
20	51353-200*	23.4	18	21.6	16.5	7.8
18	51353-180*	21.4	16	19.6	14.5	7.8
16	51353-160*	19.4	14	17.6	12.5	7.8
14	51353-140*	17.4	12	15.6	10.5	7.8
12	51353-120*	15.4	10	13.6	8.5	7.8
10	51353-100*	13.4	8	11.6	6.5	4.7
8	51353-080*	11.4	6	9.6	4.5	4.7
CKT.	△ MATERIAL NO.	A	B	C	D	E

SYMBOLS	THIS DRAWING CONTAINS INFORMATION THAT IS PROPRIETARY TO MOLEX ELECTRONIC TECHNOLOGIES, LLC AND SHOULD NOT BE USED WITHOUT WRITTEN PERMISSION		<p style="text-align: center;">molex</p> <p style="text-align: center;">MICROCLASP 2.0 W-B CONN. DUAL ROW RCPT HSG</p>				
	DIMENSION UNITS	SCALE				CURRENT REV DESC: REMASTERED IN ECTR	DOCUMENT NUMBER
▽ = 0	mm	NTS	EC NO: 632022	SD-51353-002	PSD	001	D
▽ = 0	GENERAL TOLERANCES (UNLESS SPECIFIED)		DRWN: SS06	2020/01/13			
▽ = 0	ANGULAR TOL ± 3.0°		CHK'D: SS06	2020/02/13			
▽ = 0	4 PLACES ±		APPR: ISHWARG	2020/02/14			
▽ = 0	3 PLACES ±		INITIAL REVISION:				
▽ = 0	2 PLACES ± 0.2		DRWN: N.ITO	'01/12/17			
▽ = 0	1 PLACE ± 0.2		APPR: T.YAMAGUCHI	'02/10/22			
▽ = 0	0 PLACES ± 0.2		THIRD ANGLE PROJECTION				
▽ = 0	DRAFT WHERE APPLICABLE MUST REMAIN WITHIN DIMENSIONS		DRAWING	SERIES	MATERIAL NUMBER	CUSTOMER	SHEET NUMBER
▽ = 0			B-SIZE	51353	SEE CHART	GENERAL MARKET	2 OF 2