

FEATURES AND SPECIFICATIONS

Features and Benefits

- Locking tang for secure housing retention

Reference Information

Packaging: Reel or bag

Use With: 51021

Mates With: 51025 and 50133

Designed In: Millimeters

Electrical

Voltage: 125V

Current: 1.0A

32 AWG—0.8A

Contact Resistance: 20mΩ max.

Dielectric Withstanding Voltage: 250V AC/1 min.

Insulation Resistance: 100 MΩ min.

Physical

Contact: Phosphor Bronze

Plating: Tin

Wire Range:

26 to 28 AWG—50079

28 to 32 AWG—50058

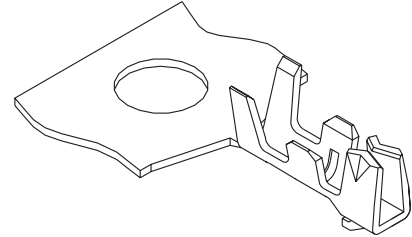
Insulation Range: 1.00mm dia. max.

Strip Length: 1.40 to 1.90mm

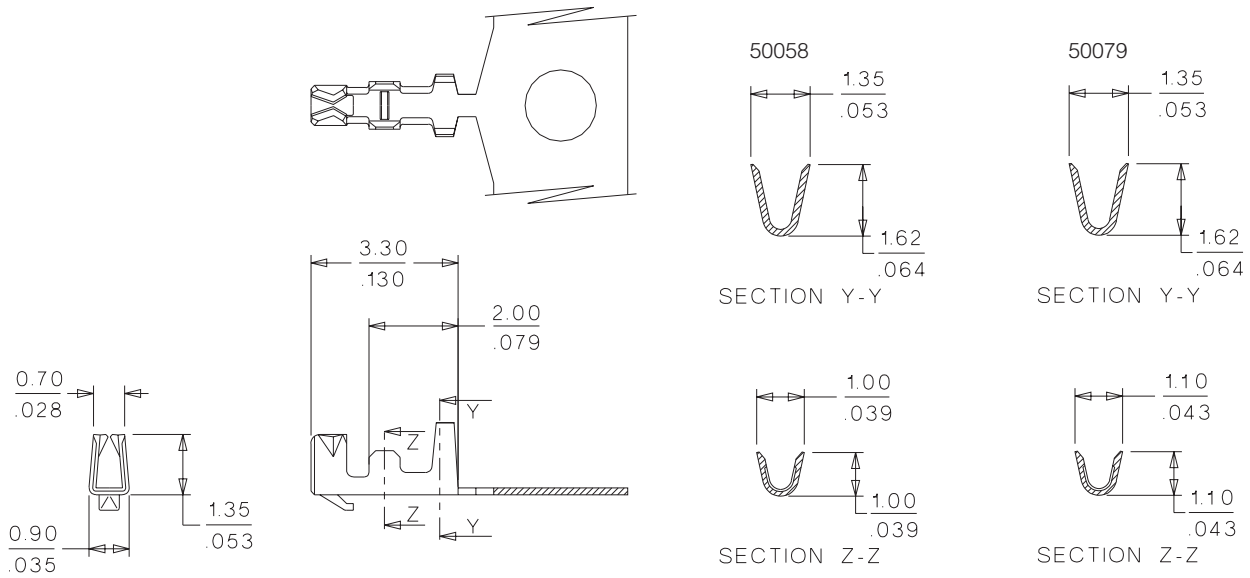
molex® 1.25mm (.049") Pitch Wire-to-Board and Wire-to-Wire Crimp Terminal

50079/50058

Female



Micro Connectors



ORDERING INFORMATION

| Order No. | Wire Range AWG | Terminal |
|------------|-------------------|----------|
| 50079-8000 | 26 - 28 | Reel |
| 50058-8000 | 28 - 32 | |
| 50079-8100 | 26 - 28 | Bag |
| 50058-8100 | 28 - 32 | |