

# Econoseal J Series Connectors <Mark II (+)>

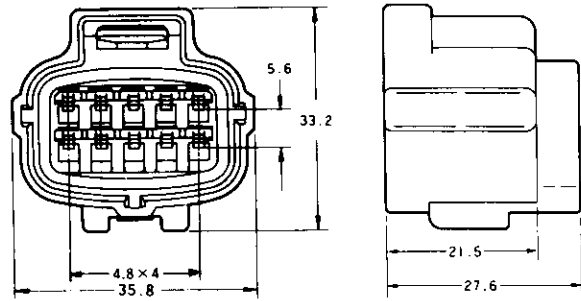
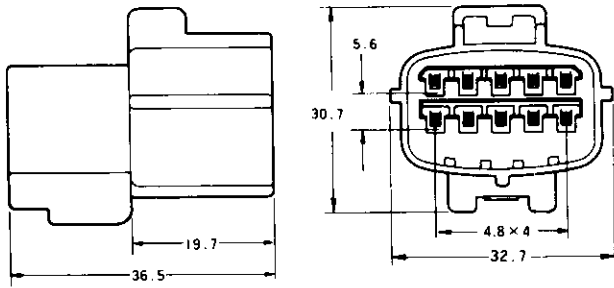
Cap

Plug

Part Number : 174657-2

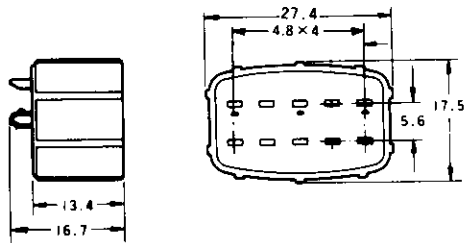
10  
Pos.

Part Number : 174655-2



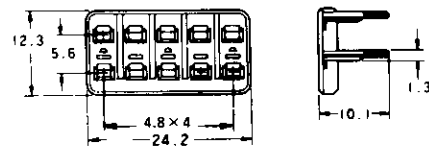
Double Lock Plate

Part Number : 1-174658-1



Double Lock Plate

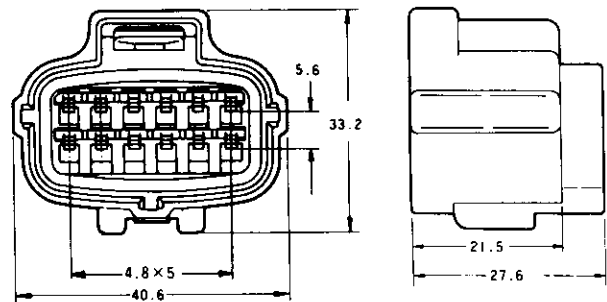
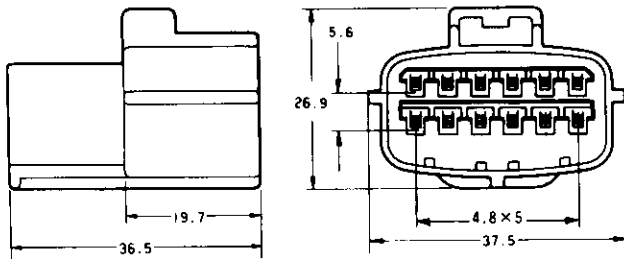
Part Number : 1-174656-1



Part Number : 174663-2

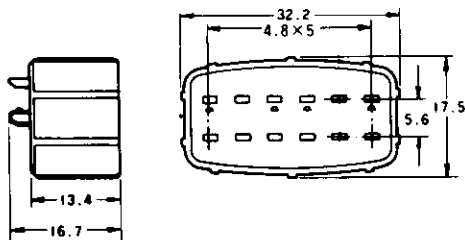
12  
Pos.

Part Number : 174661-2



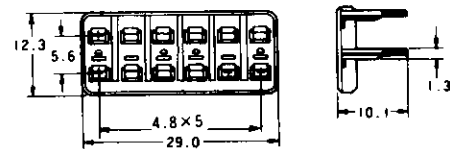
Double Lock Plate

Part Number : 1-174664-1



Double Lock Plate

Part Number : 1-174662-1



\*The color of housing is black, and that of double lock plate white.  
\*The material of housings and double lock plate are of PBT.

# Mouser Electronics

Authorized Distributor

Click to View Pricing, Inventory, Delivery & Lifecycle Information:

[TE Connectivity:](#)

[1-174664-1](#)