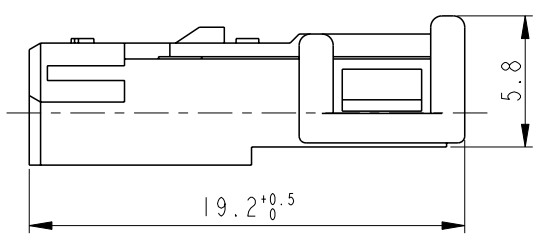
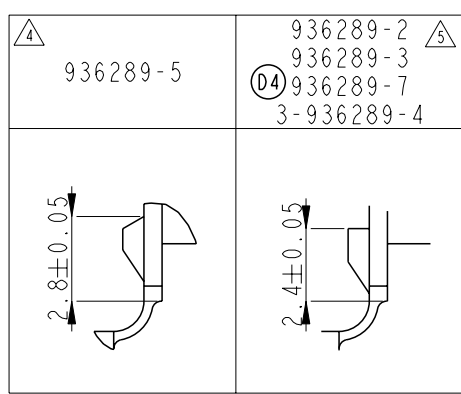
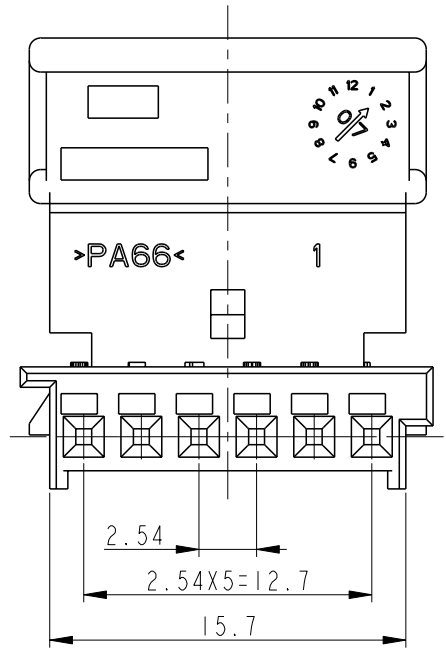
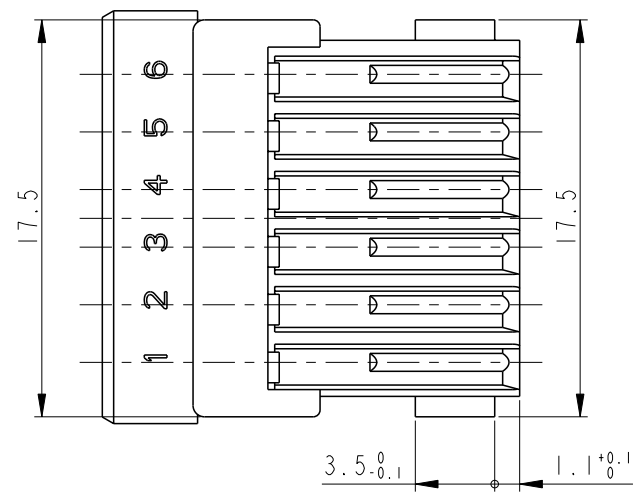
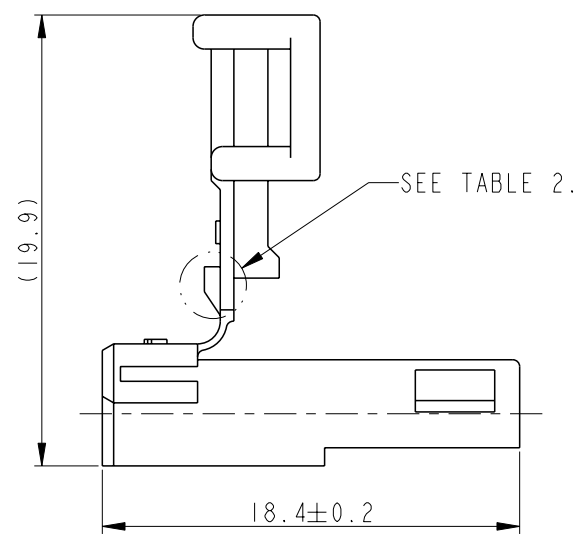


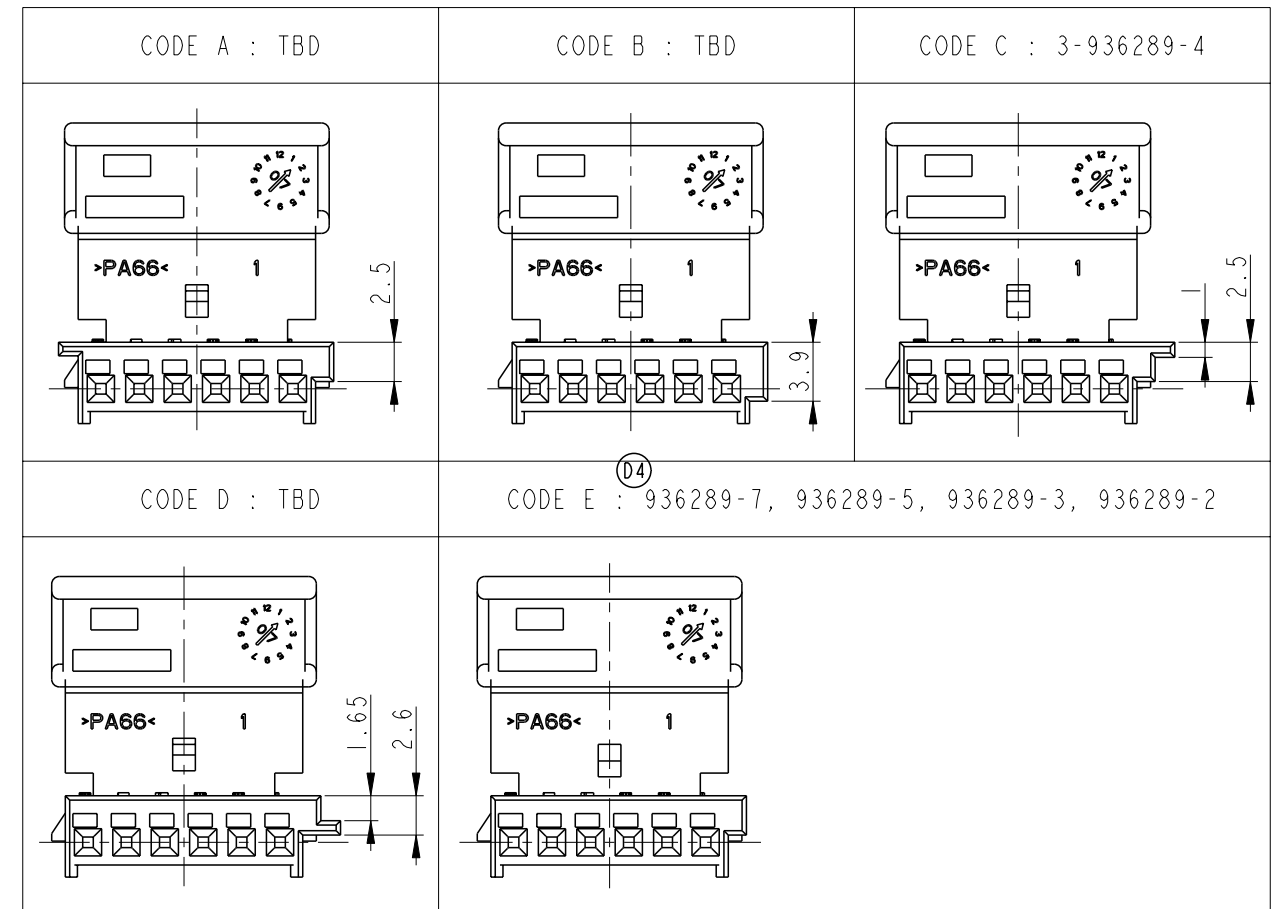
| P | LTR | DESCRIPTION | DATE | DWN | APVD |
|---|-----|-------------------------|------------|-----|------|
| | D2 | REVISED (ECR-16-004121) | 21.MAR.'16 | JM | JW |
| | D3 | REVISED (ECR-16-009804) | 07JUL2016 | JM | JW |
| | D4 | REVISED (ECR-17-000376) | 10JAN2017 | JM | JW |
| | D5 | REVISED (ECR-17-014365) | 28SEP2017 | HH | YJ |



IN CLOSED POSITION



(TABLE 1) SCALE 2:1



- NOTE
1. BE MATED WITH HEADER HSG (P/N : 936287) SMOOTHLY
 2. CODE IS AS FOLLOWS: SEE TABLE 1.
 3. APPLICABLE RECEPTACLE CONTACT P/N

| PART NO. | DESCRIPTION | WIRE SIZE(mm ²) |
|----------|-------------------------------------|-----------------------------|
| 928999-1 | MQS RECEPTACLE TML (SOCKET CONTACT) | 0.2 ~ 0.5 |
| 963715-1 | MQS RECEPTACLE TML (SOCKET CONTACT) | 0.75 |

MQS CONTACT(AVX: 0.5mm² / AVSS-X: 0.75mm²)
 LOCKING FORCE : MIN 4kgf (FORCE WITH FULL PINS APPLIED, ONLY EXPORT)
 LOCKING FORCE : OVER 8kgf
 6. GENERAL TOLERANCE

| GENERAL TOLERANCES | |
|--------------------|-------|
| 10 MAX | ±0.3 |
| 10 OVER 30 MAX | ±0.2 |
| 30 OVER 100 MAX | ±0.25 |
| ANGLES | ±3° |



THIS DRAWING IS A CONTROLLED DOCUMENT.

| | |
|--------------------|--|
| DIMENSIONS: mm | TOLERANCES UNLESS OTHERWISE SPECIFIED: |
| | 0 PLC ± |
| | 1 PLC ± |
| | 2 PLC ± |
| | 3 PLC ± |
| | 4 PLC ± |
| | ANGLES ± |
| MATERIAL SEE TABLE | FINISH - |

| | |
|------------------|---------|
| DWN | JM JEON |
| CHK | - |
| APVD | JW JUNG |
| PRODUCT SPEC | - |
| APPLICATION SPEC | - |
| WEIGHT | - |
| CUSTOMER DRAWING | |

| | | | |
|----------------------------------|-----------|--------------|---------------|
| TE TE Connectivity | | | |
| NAME MQS. SOCKET HOUSING 6POS | | | |
| SIZE | CAGE CODE | DRAWING NO | RESTRICTED TO |
| A3 | 00779 | C-936289 | - |
| SCALE 3:1 | | SHEET 1 OF 1 | REV D5 |