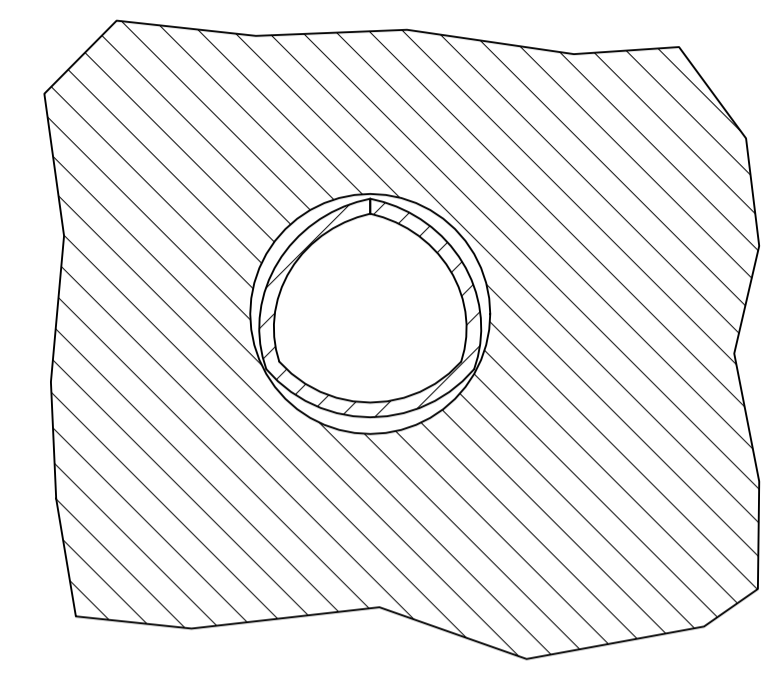
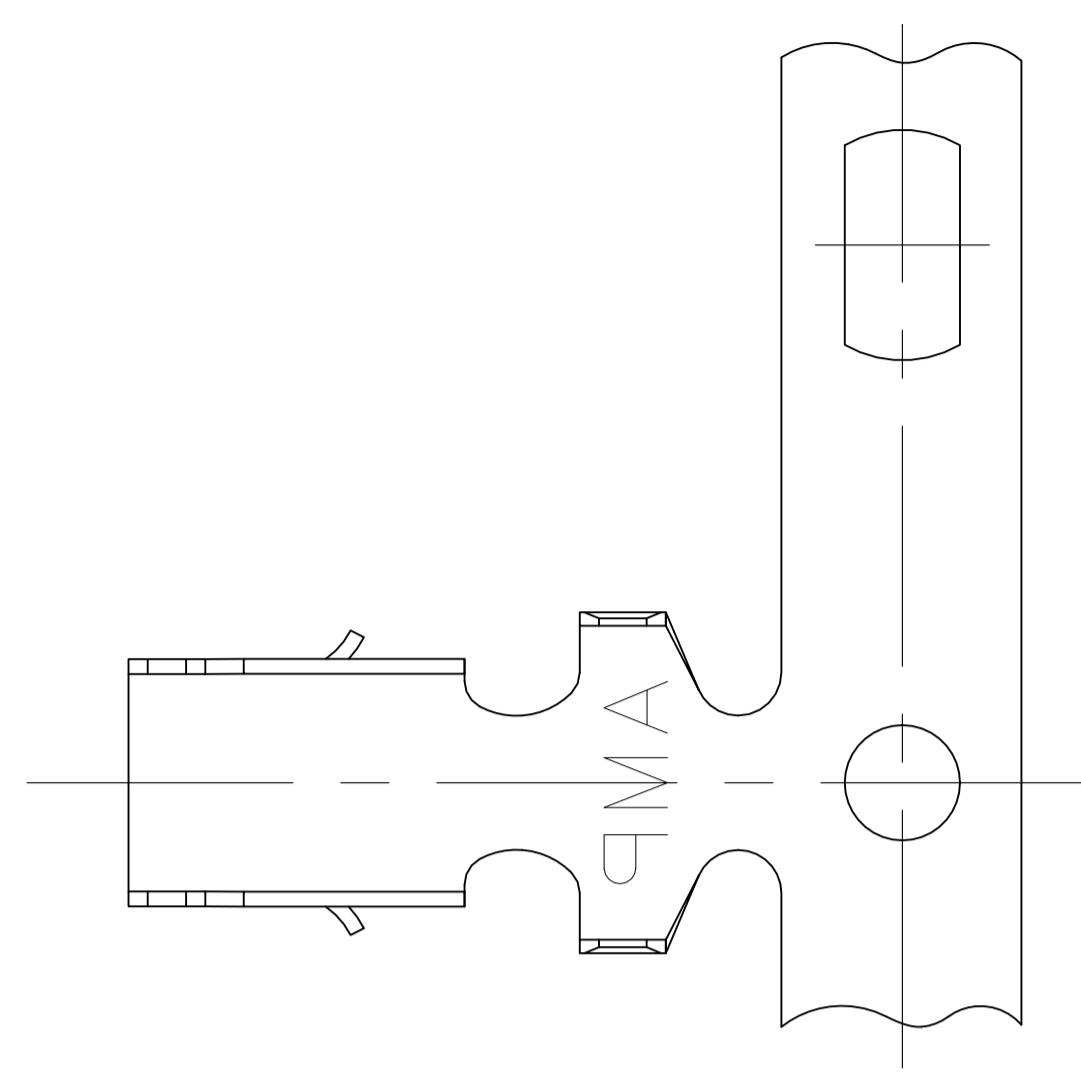
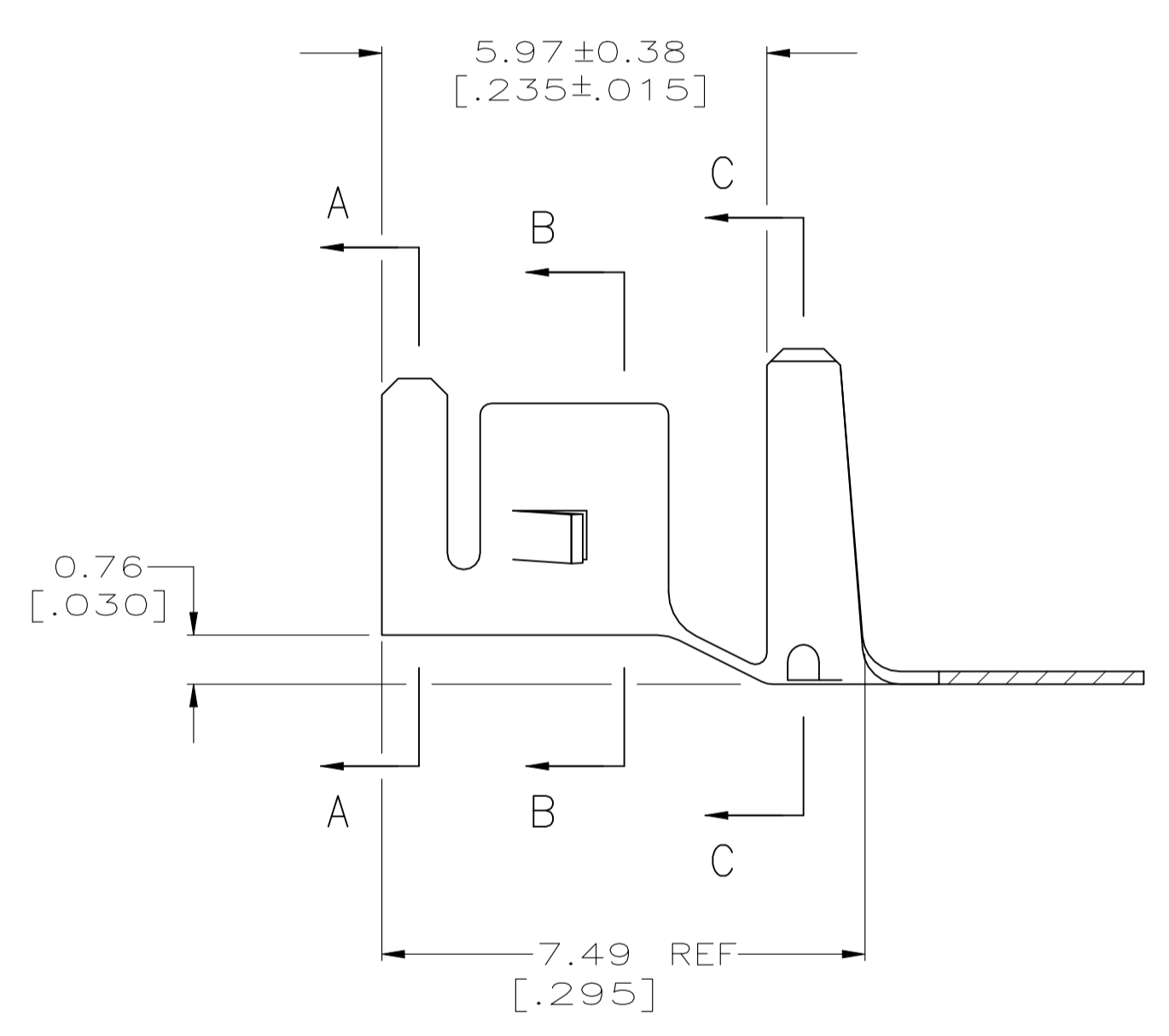


REVISIONS				
P	LTR	DESCRIPTION	DATE	BY
R		REVISED PER ECR-20-100219	11FEB2021	SM DZ

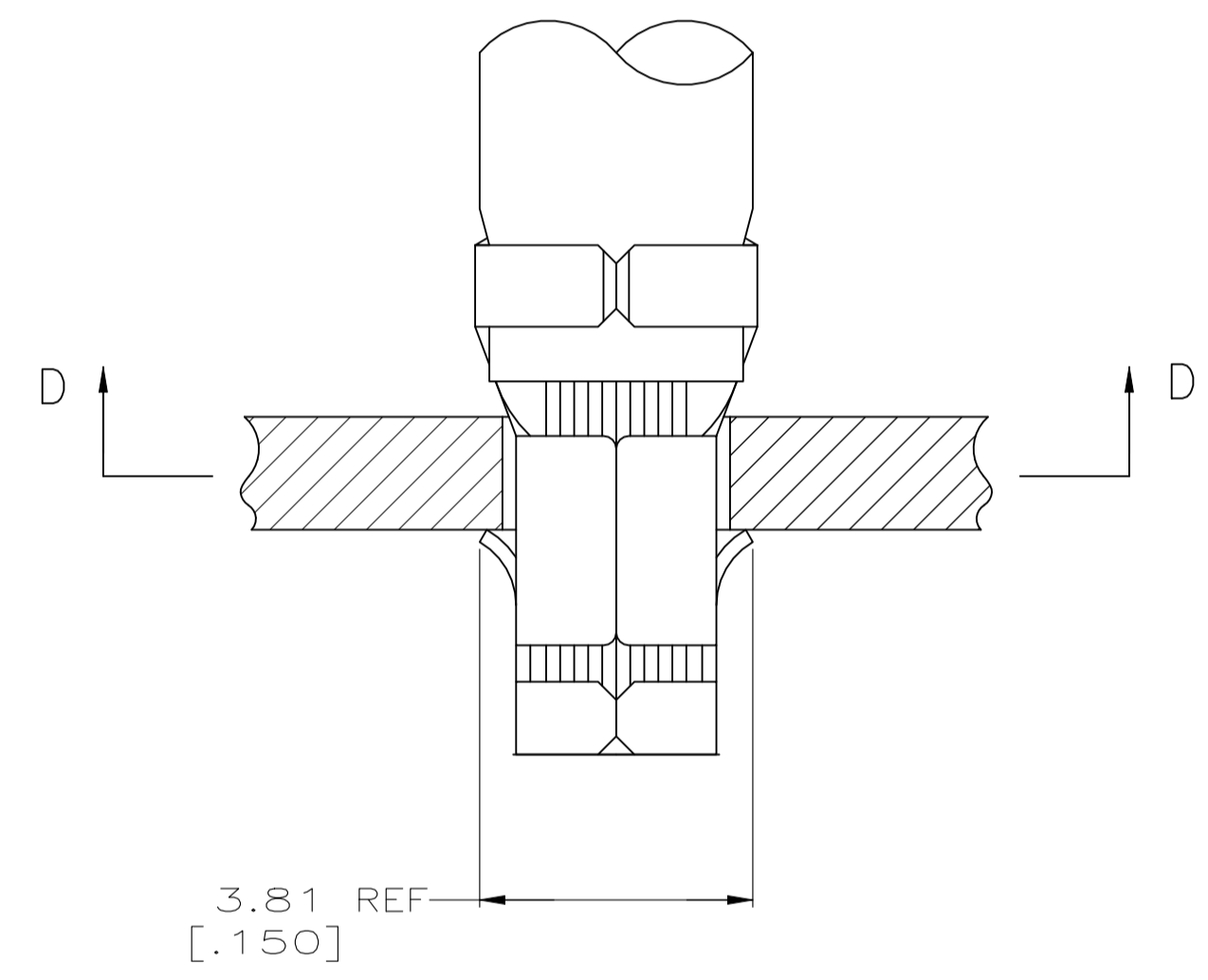
- 1 PARTS COMPLY WITH AMP SOLDERABILITY SPEC 109-11-3.
- 2 0.00508 [.000200] MIN BRIGHT TIN-LEAD.
- 3 WIRE RANGE: 0.80 - 2.0 mm² [18 - 14 AWG].
- 4 INSULATION RANGE: 2.29 - 3.81 [.090 - .150] DIA.
- 5 DIMENSIONS IN BRACKETS ARE IN INCHES.
- 6 0.00508 [.000200] MIN BRIGHT TIN.



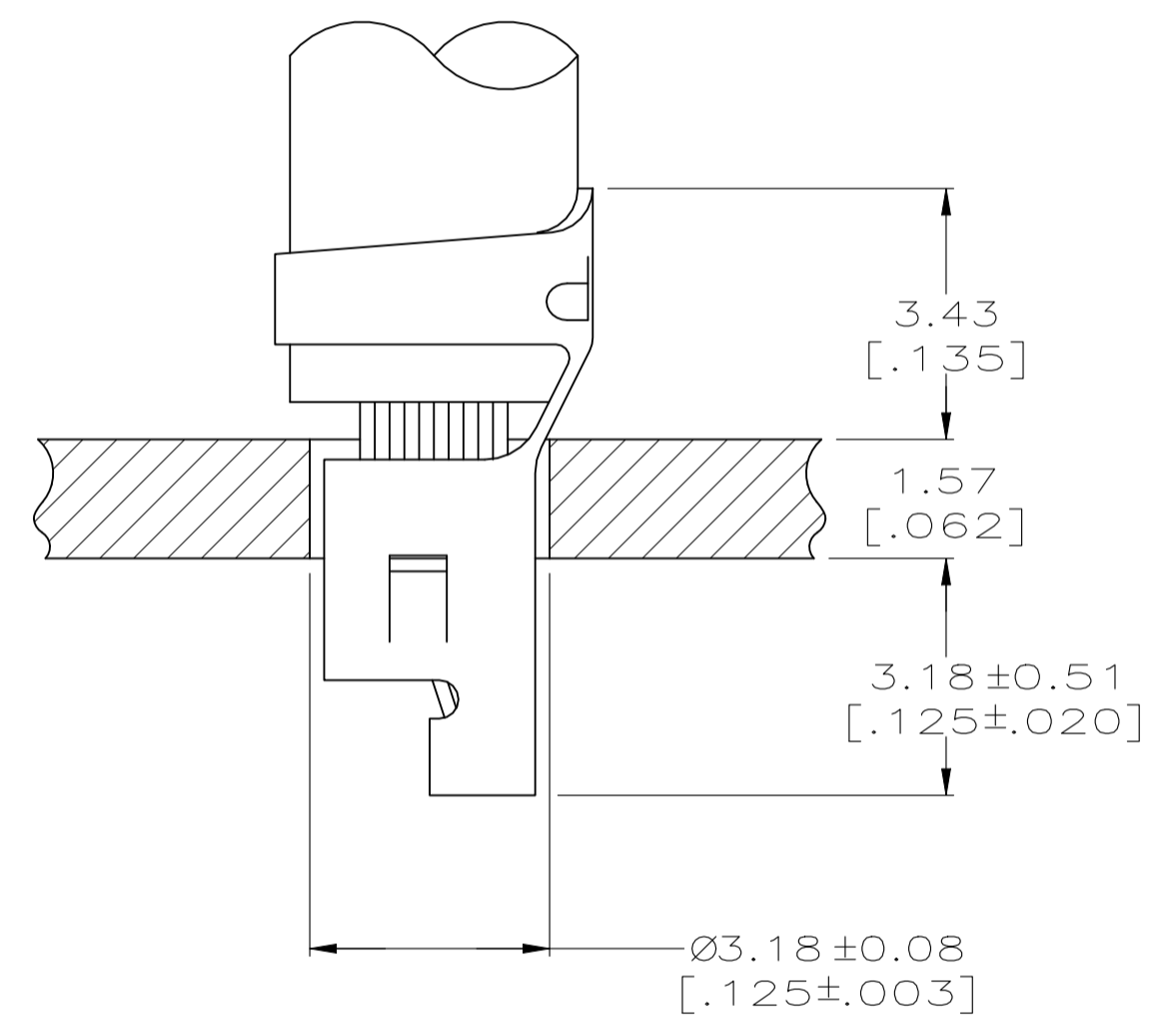
SECTION D-D



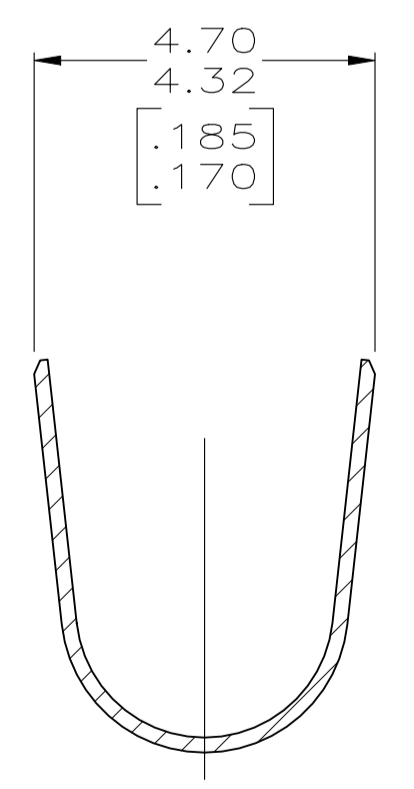
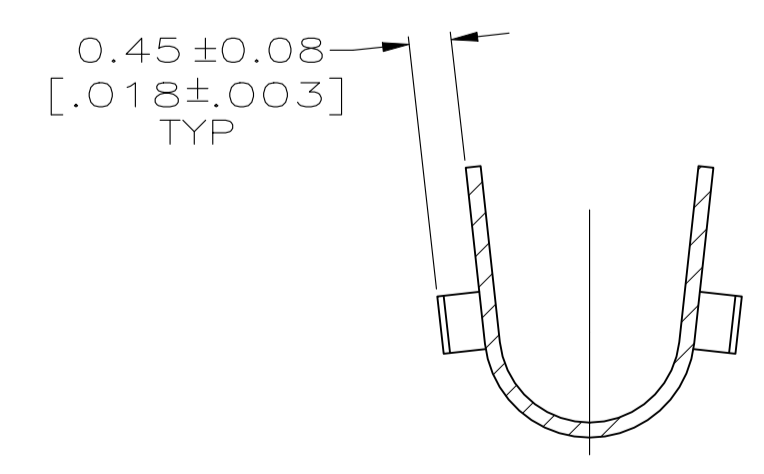
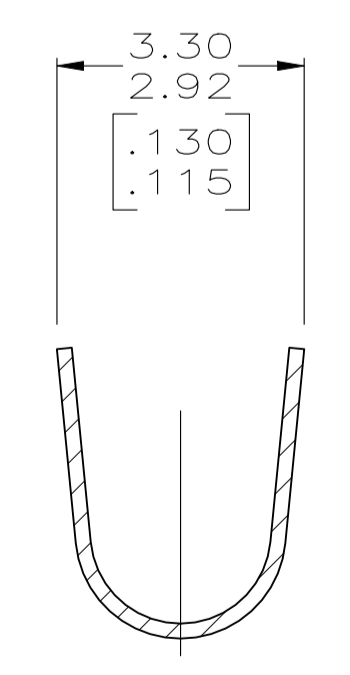
SECTION A-A



SECTION B-B



SECTION C-C



6	3-770060-1
2	-770060-1
FINISH	PART NO.

SUPERSEDED BY 3-770060-1		S. CARPENTER 22AUG2003	
J. ELLIS 22AUG2003		J. ELLIS 22AUG2003	
NAME		NAME	
PRODUCT SPEC		PRODUCT SPEC	
108-1081		108-1081	
APPLICATION SPEC		APPLICATION SPEC	
114-1016		114-1016	
WEIGHT		WEIGHT	
0		0	
CUSTOMER DRAWING		CUSTOMER DRAWING	

