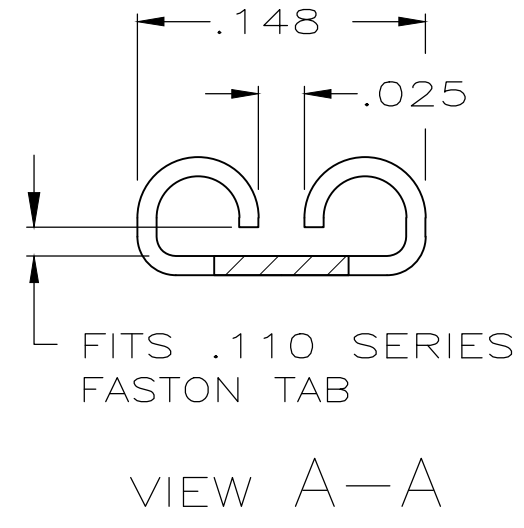
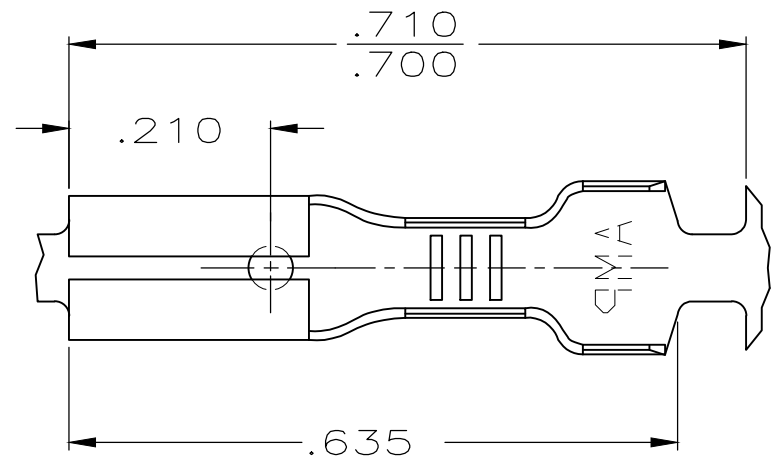


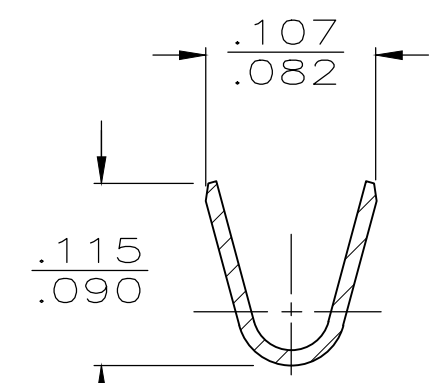
THIS DRAWING IS UNPUBLISHED. RELEASED FOR PUBLICATION
 © COPYRIGHT - By - ALL RIGHTS RESERVED.

LOC	DIST	REVISIONS			
P	LTR	DESCRIPTION	DATE	DWN	APVD
AF	50	AS2	REVISED PER ECR-19-018151	12NOV2020	AA EW

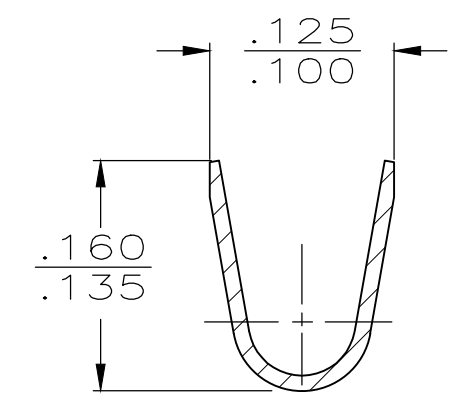
- 1 CONTINUOUS STRIP ON REELS.
- 2 PART TO BE PUT ON PLASTIC REELS.
- 3 FINISH LEAD-FREE, MATTE TIN OVER NICKEL



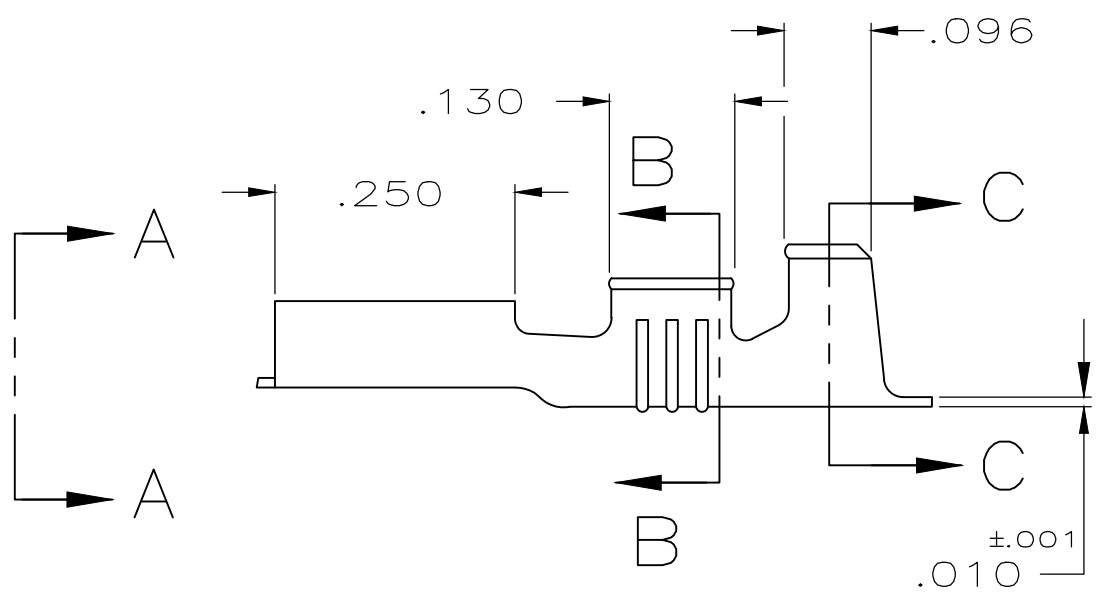
FITS .110 SERIES FASTON TAB



SECTION B-B



SECTION C-C



OBSOLETE	3	BRASS	.060-.100	22-18	.016	60118-5
	PRE-TIN	BRASS				60118-4/2
OBSOLETE	SILVER	#4H PHOS BRZ	.060-.100	22-18	.016	60118-2
	PRE-TIN	BRASS				60118-1
	FINISH	MATERIAL	INSUL RANGE	WIRE SIZE	MATING TAB THK	PART NUMBER

THIS DRAWING IS A CONTROLLED DOCUMENT.		DWN JR RUTH 6/23/87	TE Connectivity RECEPTACLE, FASTON,™ .110 SERIES					
DIMENSIONS: INCHES		CHK G YETTER 6/23/87					NAME	
TOLERANCES UNLESS OTHERWISE SPECIFIED:		APVD C MEYERS 6/23/87	PRODUCT SPEC	SIZE	CAGE CODE	DRAWING NO	RESTRICTED TO	
0 PLC ± - 1 PLC ± - 2 PLC ± - 3 PLC ± .015 4 PLC ± - ANGLES ± -		APPLICATION SPEC	—	A3	00779	C-60118	—	
MATERIAL SEE TABLE		FINISH SEE TABLE	WEIGHT	CUSTOMER DRAWING		SCALE NTS	SHEET 1 OF 1	REV AS2