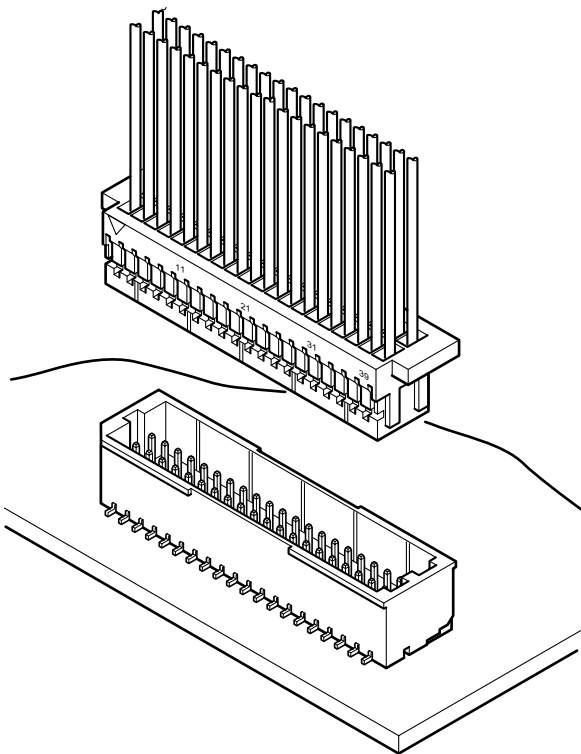


SHD CONNECTOR

Disconnectable Crimp style connectors



Ultra-compact, double-row design



Features

• Ultra-compact, low profile design

The SHD connector is compact with a mounting height of 6.3mm (.248") for top entry type and 5.5mm (.217") for side entry type, and a width of 5.0mm (.197") for top entry type and 5.1mm (.201") for side entry type.

• Reliable contact

The same contact can be used for the single-row SH connectors.

• Anti-misinsertion feature

Ribs and grooves on the header and receptacle prevent misinsertion and distortion during mating and unmating.

• Receptacles with protrusions

The receptacle has protrusions on both ends for an operator to disengage the receptacle from the header without holding the wires.

• Header designed for vacuum pick and place robotics

Although this shrouded header has locking features for its mating receptacle, there are no holes in the header shroud that would adversely effect vacuum gripping equipment.

Since there is enough flat surface for secure vacuum gripping, this miniature surface mount connector is versatile for designers and economic for manufacturing.

Specifications

- Current rating: 1.0A AC, DC (AWG #28)
- Voltage rating: 50V AC, DC
- Temperature range: -25°C to +85°C
(including temperature rise in applying electrical current)
- Contact resistance: Initial value/20m Ω max.
After environmental testing/40m Ω max.
- Insulation resistance: 100M Ω min.
- Withstanding voltage: 500V AC/minute
- Applicable wire: AWG #32 to #28
Insulation O.D./0.4 to 0.8mm (.016" to .031")

* Contact JST for details.

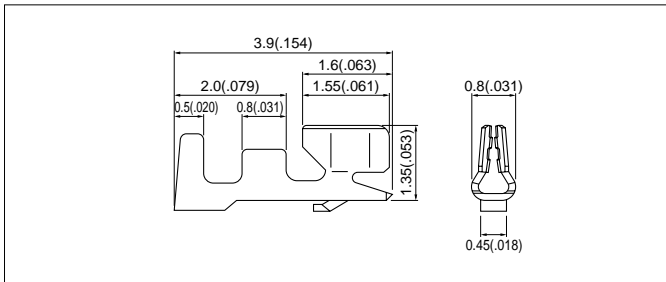
Standards

○ Recognized E60389

1 Certified LR20812

SHD CONNECTOR

Contact



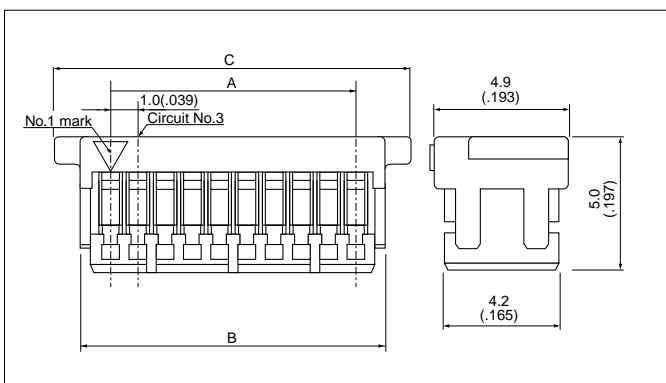
Model No.	Applicable wire			Q'ty / reel
	mm ²	AWG#	Insulation O.D. mm(in.)	
SSH-003GA-P0.2	0.032 to 0.08	32 to 28	0.4 to 0.8(.016 to .031)	23,000

Material and Finish

Phosphor bronze, nickel-undercoated, selective gold-plated

Note: Contact JST for tin-plated contacts.

Housing



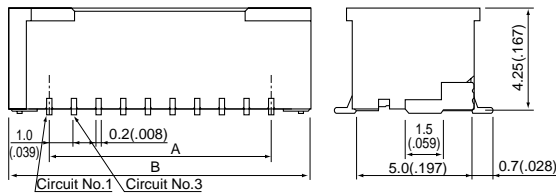
Circuits	Model No.	Dimensions mm(in.)			Q'ty / box
		A	B	C	
20	SHDR-20V-S-B	9.0(.354)	11.2(.441)	13.0(.512)	4,000
30	SHDR-30V-S-B	14.0(.551)	16.2(.638)	18.0(.709)	4,000
40	SHDR-40V-S-B	19.0(.748)	21.2(.835)	23.0(.906)	2,000
50	SHDR-50V-S-B	24.0(.945)	26.2(1.031)	28.0(1.102)	2,000

Material

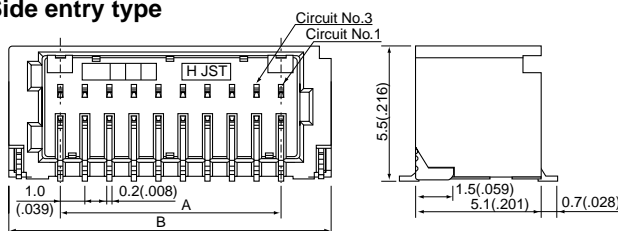
PBT, UL94V-0, natural (white)

Shrouded header

Top entry type



Side entry type



Circuits	Model No.	Dimensions mm(in.)		Q'ty / reel
		A	B	
20	BM20B-SRDS-G-TF	9.0(.354)	12.3(.484)	1,500
30	BM30B-SRDS-G-TF	14.0(.551)	17.3(.681)	1,500
40	BM40B-SRDS-G-TF	19.0(.748)	22.3(.878)	1,500
50	BM50B-SRDS-G-TF	24.0(.945)	27.3(1.075)	1,500

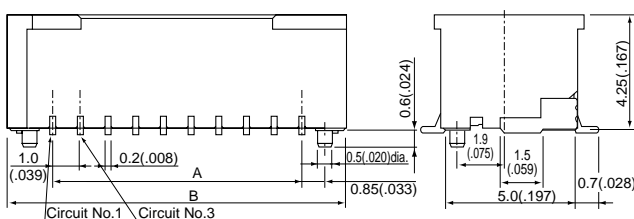
Circuits	Model No.	Dimensions mm(in.)		Q'ty / reel
		A	B	
20	SM20B-SRDS-G-TF	9.0(.354)	13.1(.516)	1,250
30	SM30B-SRDS-G-TF	14.0(.551)	18.1(.713)	1,250
40	SM40B-SRDS-G-TF	19.0(.748)	23.1(.909)	1,250
50	SM50B-SRDS-G-TF	24.0(.945)	28.1(1.106)	1,250

Material and Finish

Header contact: Phosphor bronze, nickel-undercoated, gold-plated
Wafer: Glass-filled polyamide, UL94V-0, natural (ivory)
Solder tab: Brass, copper-undercoated, tin/lead-plated

- Note: 1. The products listed above are supplied on embossed-tape.
2. Contact JST for the headers with tin-plated pins.
3. Contact JST for the top entry type headers with suction cap.

Top entry type with a boss



Circuits	Model No.	Dimensions mm(in.)		Q'ty / reel
		A	B	
20	BM20B-SRDS-A-G-TF	9.0(.354)	12.3(.484)	1,250
30	BM30B-SRDS-A-G-TF	14.0(.551)	17.3(.681)	1,250
40	BM40B-SRDS-A-G-TF	19.0(.748)	22.3(.878)	1,250
50	BM50B-SRDS-A-G-TF	24.0(.945)	27.3(1.075)	1,250

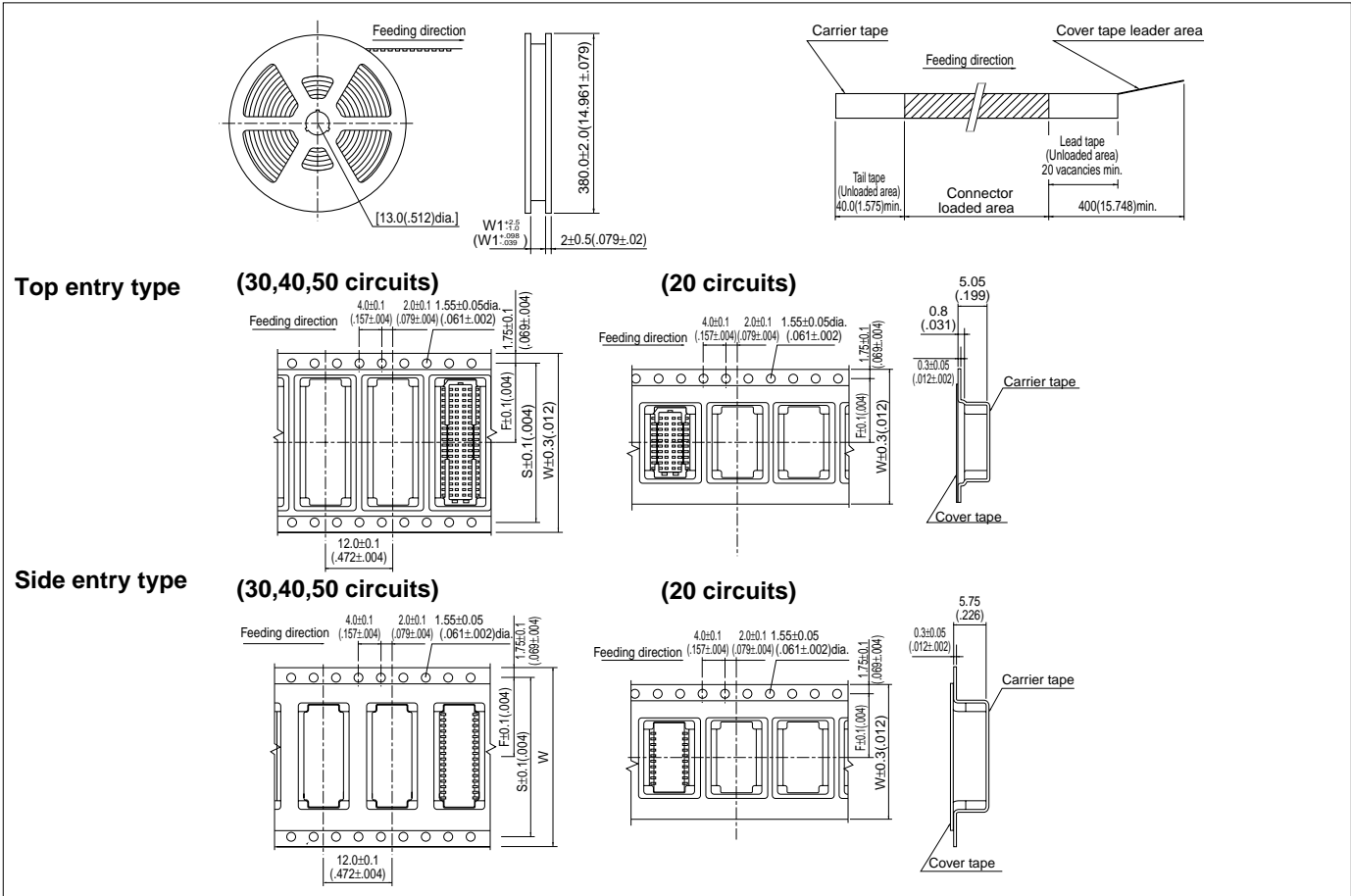
Material and Finish

Header contact: Phosphor bronze, nickel-undercoated, gold-plated
Wafer: Glass-filled polyamide, UL94V-0, natural (ivory)
Solder tab: Brass, copper-undercoated, tin/lead-plated

- Note: 1. The products listed above are supplied on embossed-tape.
2. Contact JST for the headers with tin-plated pins.

SHD CONNECTOR

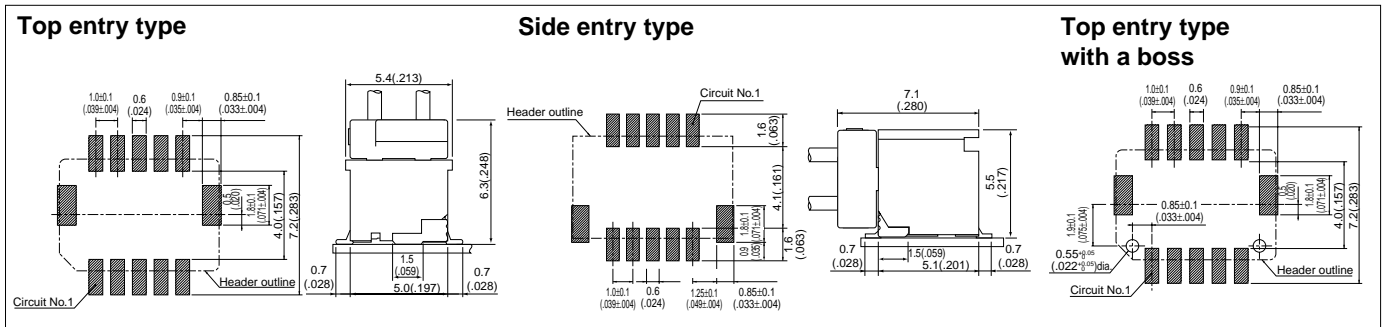
Taping specifications



Circuits	Dimensions mm(in.)						Reel dimensions mm(in.)		Q'ty / reel	
	F		S		W		W1		Q'ty / reel	
	Top entry type	Side entry type	Top entry type	Side entry type	Top entry type	Side entry type	Top entry type	Side entry type	Top entry type	Side entry type
20	11.5(.453)	11.5(.453)	-	-	24.0(.945)	24.0(.945)	25.5(1.004)	25.5(1.004)	1,500	1,250
30	14.2(.559)	14.2(.559)	28.4(1.118)	28.4(1.118)	32.0(1.260)	32.0(1.260)	33.5(1.319)	33.5(1.319)	1,500	1,250
40	20.2(.795)	20.2(.795)	40.4(1.591)	40.4(1.591)	44.0(1.732)	44.0(1.732)	45.5(1.791)	45.5(1.791)	1,500	1,250
50	20.2(.795)	20.2(.795)	40.4(1.591)	40.4(1.591)	44.0(1.732)	44.0(1.732)	45.5(1.791)	45.5(1.791)	1,500	1,250

Note: 1. Specifications conform to JIS C 0806. The tape width, connector loading recess square dimensions, etc. are determined by the number of circuits and external shape of the connector to be loaded.
 2. Specifications are subject to change without prior notice.

PC board layout (viewed from component side) and Assembly layout



Note: 1. Tolerances are non-Cumulative: $\pm 0.05\text{mm}$ ($\pm 0.002''$) for all centers.
 2. Hole dimensions differ according to the kind of PC board and piercing method.
 The dimensions above should serve as a guide line. Contact JST for details.

Applicator for the semi-automatic press AP-K2N

Contact	Crimp applicator MKS-L-10-3		Compact crimp applicator MKS-LS		Strip-crimp applicator MKS-SC
	with safety cover	without safety cover	with safety cover	without safety cover	with safety cover
SSH-003GA-P0.2	APLMK SSH/L003-02	APLNC SSH/L003-02	—	—	APLSC SSH003-02