

THIS DRAWING IS UNPUBLISHED.

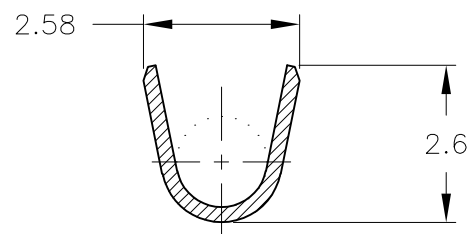
RELEASED FOR PUBLICATION

ALL RIGHTS RESERVED.

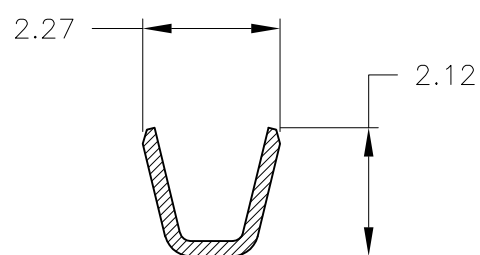
© COPYRIGHT - By -

LOC	LOC
J	-

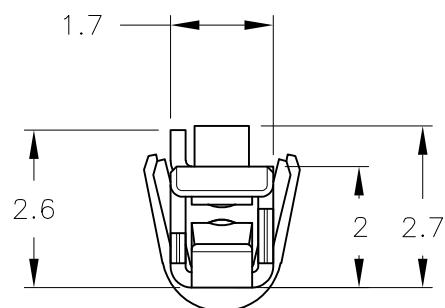
REVISIONS					
P	LTR	DESCRIPTION	DATE	DWN	APVD
D		REVISED PER ECR-15-011723	08AUG2015	Y.O	E.T
E		REVISED PER ECR-16-016514	23NOV2016	K.T	E.T



SECT B-B



SECT A-A



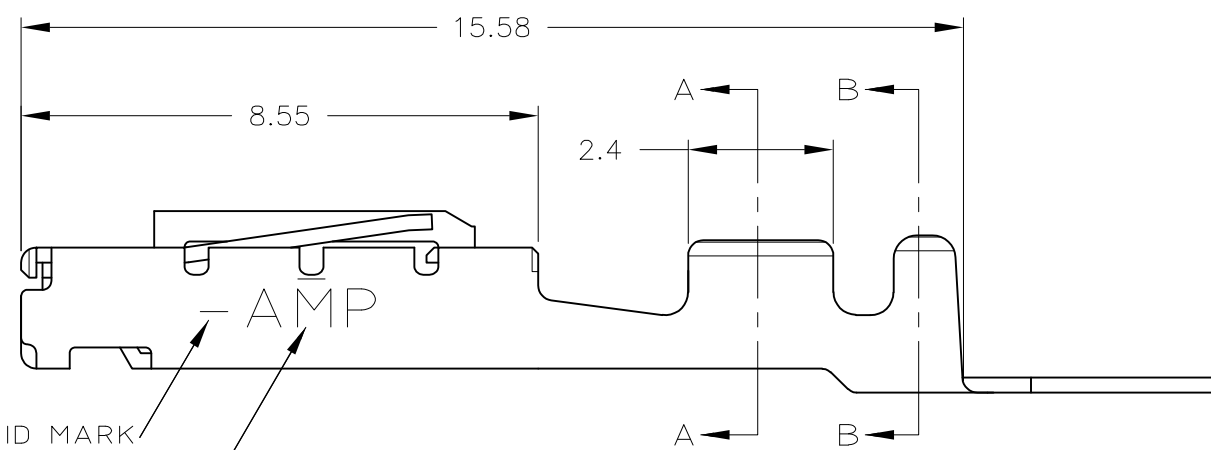
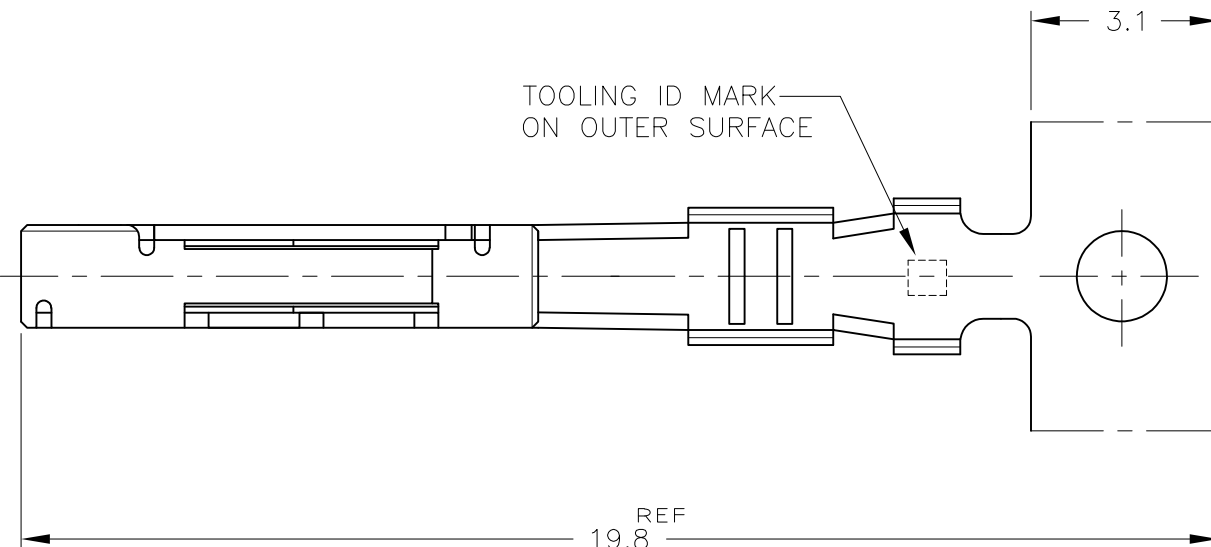
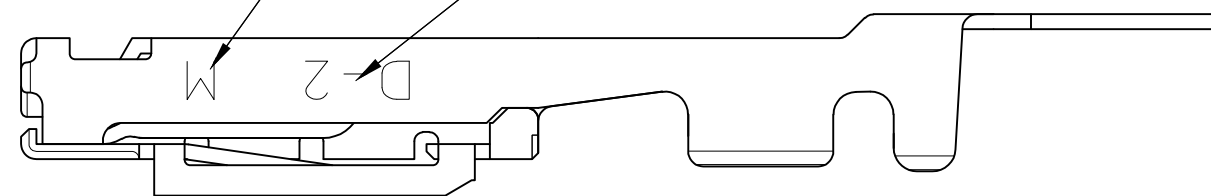
TOOLING ID MARK

AMP MARK

WIRE RANGE ID MARK

CONTACT ID MARK

TOOLING ID MARK ON OUTER SURFACE



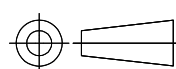
-1:AS SHOWN

NOTES

1. FINISH (CONTACT AREA): 0.38 μm MIN GOLD PLATING OVER Ni PLATING

THIS DRAWING IS A CONTROLLED DOCUMENT.

DIMENSIONS: mm



TOLERANCES UNLESS OTHERWISE SPECIFIED:

10 ≥ : ±0.3  
 >10 : ±0.35  
 >30 : ±0.4  
 ANGLE : ±3°

MATERIAL (COPPER ALLOY)

FINISH SEE NOTE

DWN	K.IKEDA	7/DEC/'98
CHK	N.MATSUBARA	7/DEC/'98
APVD	I.HASEGAWA	7/DEC/'98
PRODUCT SPEC	108-5619	
APPLICATION SPEC	114-5258	
WEIGHT	-	
CUSTOMER DRAWING		

WIRE RANGE		INSULATION DIA	
AWG #22~#18		1.26~1.90	
<b>STE</b> TE Connectivity			
NAME			
REC CONTACT M SIZE DYNAMIC D-2 SERIES			
SIZE	CAGE CODE	DRAWING NO	RESTRICTED TO
A3	00779	C-1318105	-
SCALE		SHEET	REV
8:1		1 OF 1	E

# Mouser Electronics

Authorized Distributor

Click to View Pricing, Inventory, Delivery & Lifecycle Information:

[TE Connectivity:](#)

[1318105-1](#)