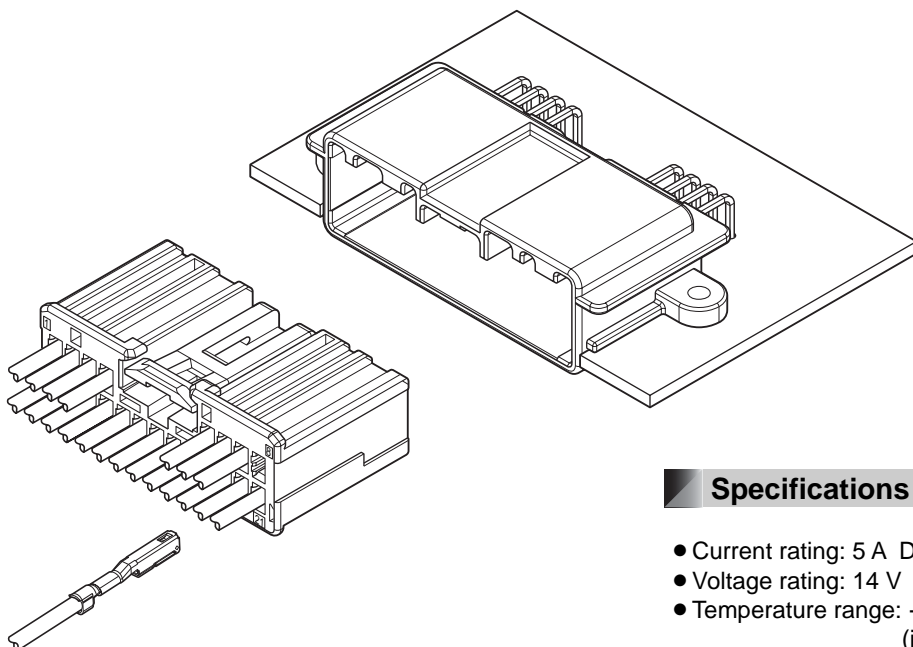


21 Circuits 0.64 Unsealed Connector system.
Ultra low profiled design for high density PCB
placement.

Features

- 21 Circuits: 0.64 Unsealed Connector
- Unique PCB mounting, low profile side entry design
- Varieties of Color and Key code options are available

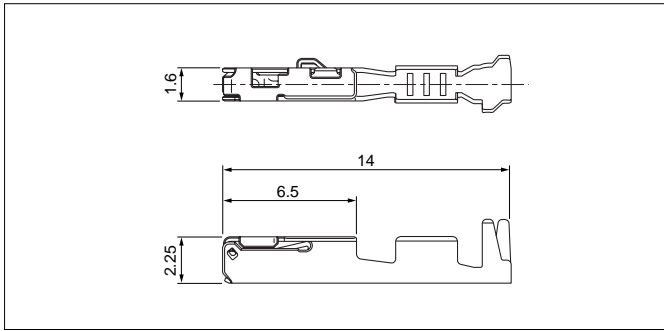


Specifications

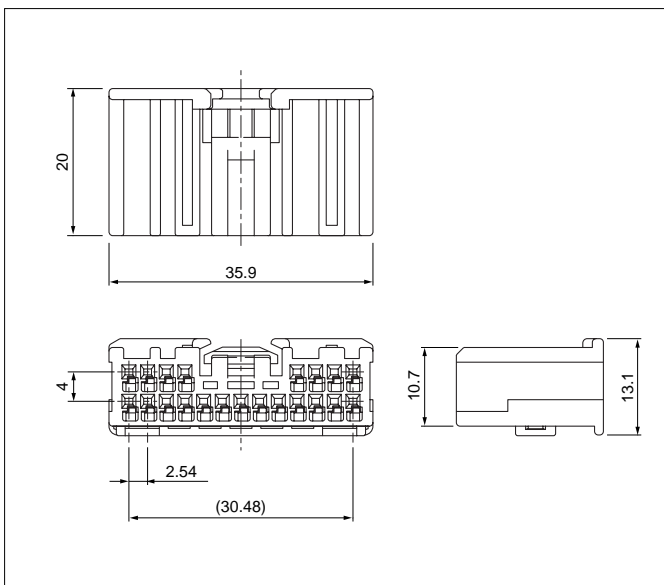
- Current rating: 5 A DC max.
- Voltage rating: 14 V DC
- Temperature range: -40°C to +125°C
(including temperature rise in applying electrical current)
- Contact resistance: Initial value/ 15 mΩ max.
After environmental tests/ 15 mΩ max.
- Insulation resistance: 100 MΩ min.
- Applicable wire: SAE/AVSS/CAVS
0.3 mm² to 0.8 mm²

- * Compliant with ELV/RoHS.
- * Contact JST for details.

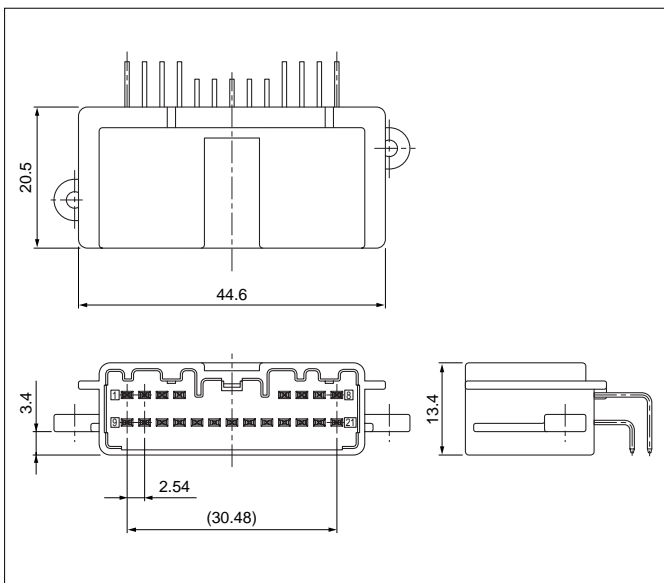
Female terminal



Female connector



Male connector



Model No.	Applicable wire range		Q'ty/reel
	Conductor (mm ²)	Insulation O.D. (mm)	
①SAIT-A03T-M064	0.3 to 0.5	≤1.9	6,500
①SAIT-A02T-M064	0.75 to 0.8	≤1.9	6,500
②SAIT-A03GF-M064	0.3 to 0.5	≤1.9	6,500
②SAIT-A02GF-M064	0.75 to 0.8	≤1.9	6,500

Material and Finish

- ① Copper alloy, tin-plated (reflow treatment)
- ② Copper alloy, nickel-undercoated, Contact area; gold-plated
Barrel area; tin-plated

Circuits	Model No.	Key Code	Q'ty/box	Housing Color	TPA Color
21	ATLPB-21-2AK	A	1,500	Black	Natural (White)
	ATLPB-21-2BH	B	1,500	Gray	Natural (White)
	ATLPB-21-2CD	C	1,500	Orange	Black
	ATLPB-21-2DD	D	1,500	Orange	Natural (White)

Material and Finish

Housing: PBT
TPA: Glass-filled PBT

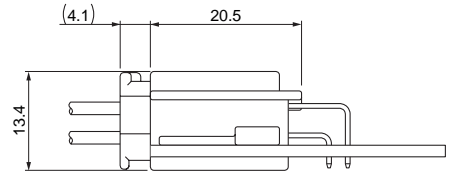
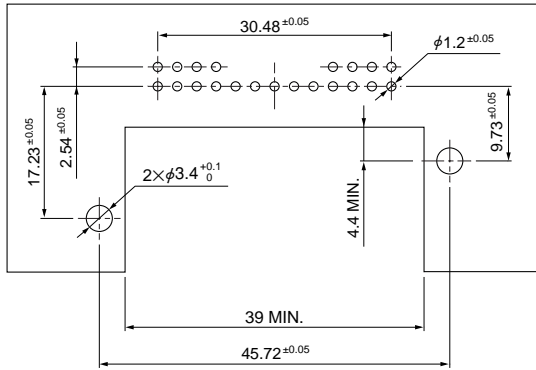
Circuits	Model No.	Key Code	Q'ty/box	Housing Color
21	S21BA-ATL-2AK	A	700	Black
	S21BA-ATL-2BH	B	700	Gray
	S21BA-ATL-2CD	C	700	Orange
	S21BA-ATL-2DD	D	700	Orange

Material and Finish

Housing: Glass-filled PBT
Pin: Brass, tin-plated

ATL CONNECTOR

PC board layout, Assembly layout



Crimping machine, Applicator

Strip terminal	Crimping machine	Crimp applicator MKS-L	
		Dies	Crimp applicator with dies
SAIT-A03(-)-M064	AP-K2N	MK/SAIT-A03-064	APLMK SAIT-A03-064
SAIT-A02(-)-M064		MK/SAIT-A02-064	APLMK SAIT-A02-064

Note: When crimping operation is conducted using an applicator and die set other than the above, JST cannot guarantee the performance of the terminal.

Mouser Electronics

Authorized Distributor

Click to View Pricing, Inventory, Delivery & Lifecycle Information:

JST:

[S21BA-ATL-2BH](#) [SAIT-A03T-M064](#) [ATLPB-21-2AK](#) [ATLPB-21-2DD](#) [S21BA-ATL-2CD](#) [SAIT-A02GF-M064](#) [ATLPB-21-2BH](#) [ATLPB-21-2CD](#) [S21BA-ATL-2AK](#) [S21BA-ATL-2DD](#) [SAIT-A02T-M064](#) [SAIT-A03GF-M064](#)