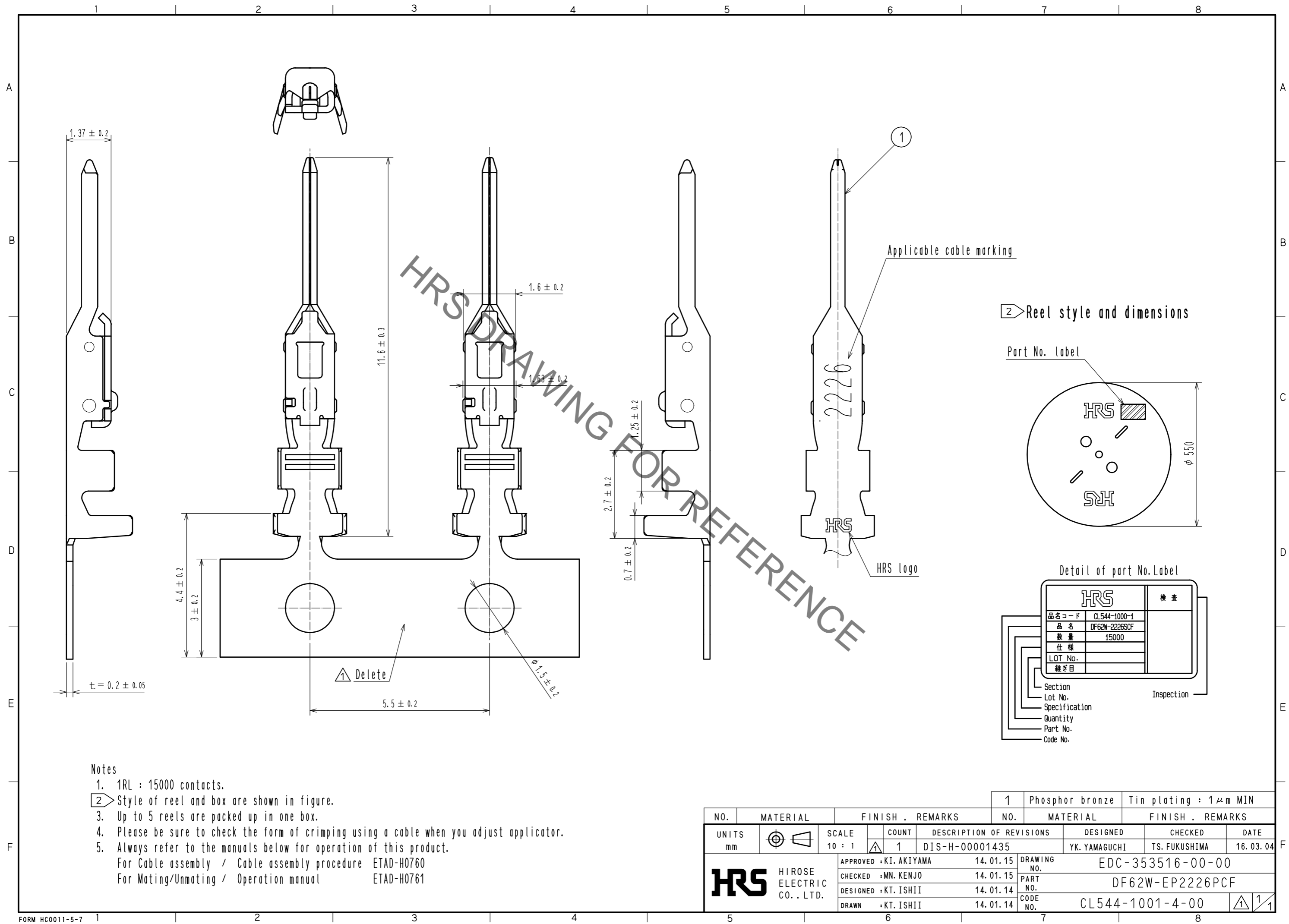


Dec.1.2021 Copyright 2021 HIROSE ELECTRIC CO., LTD. All Rights Reserved.
 In case of consideration for using Automotive equipment / device which demand high reliability, kindly contact our sales window correspondents.



- Notes
- 1RL : 15000 contacts.
 - Style of reel and box are shown in figure.
 - Up to 5 reels are packed up in one box.
 - Please be sure to check the form of crimping using a cable when you adjust applicator.
 - Always refer to the manuals below for operation of this product.
 For Cable assembly / Cable assembly procedure ETAD-H0760
 For Mating/Unmating / Operation manual ETAD-H0761

NO.	MATERIAL	FINISH . REMARKS	NO.	MATERIAL	FINISH . REMARKS
			1	Phosphor bronze	Tin plating : 1μm MIN
UNITS mm		SCALE 10 : 1	COUNT 1	DESIGNED YK. YAMAGUCHI	CHECKED TS. FUKUSHIMA
DESCRIPTION OF REVISIONS DIS-H-00001435			DATE 14.01.15	DATE 16.03.04	
APPROVED : KI. AKIYAMA			14.01.15	DRAWING NO. EDC-353516-00-00	
CHECKED : MN. KENJO			14.01.15	PART NO. DF62W-EP2226PCF	
DESIGNED : KT. ISHII			14.01.14	CODE NO. CL544-1001-4-00	
DRAWN : KT. ISHII			14.01.14	1/1	