

THIS DRAWING IS UNPUBLISHED. RELEASED FOR PUBLICATION
 © COPYRIGHT 19 ALL RIGHTS RESERVED.

LOC	DIST	REVISIONS						
		P	LTR	DESCRIPTION	DATE	DWN	APVD	
J			B2	REVISED	ECR-11-011495	02JUN11	TS	KB

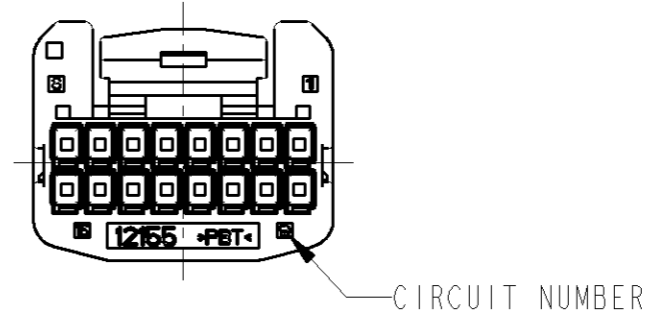
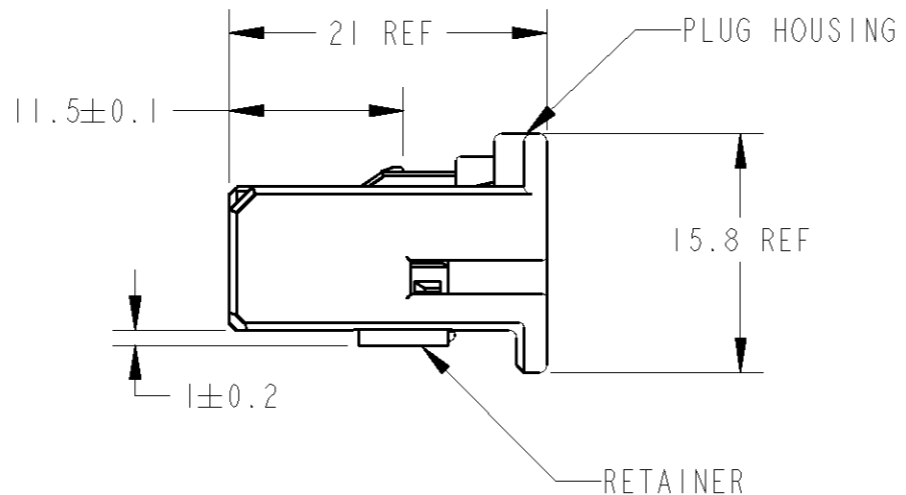
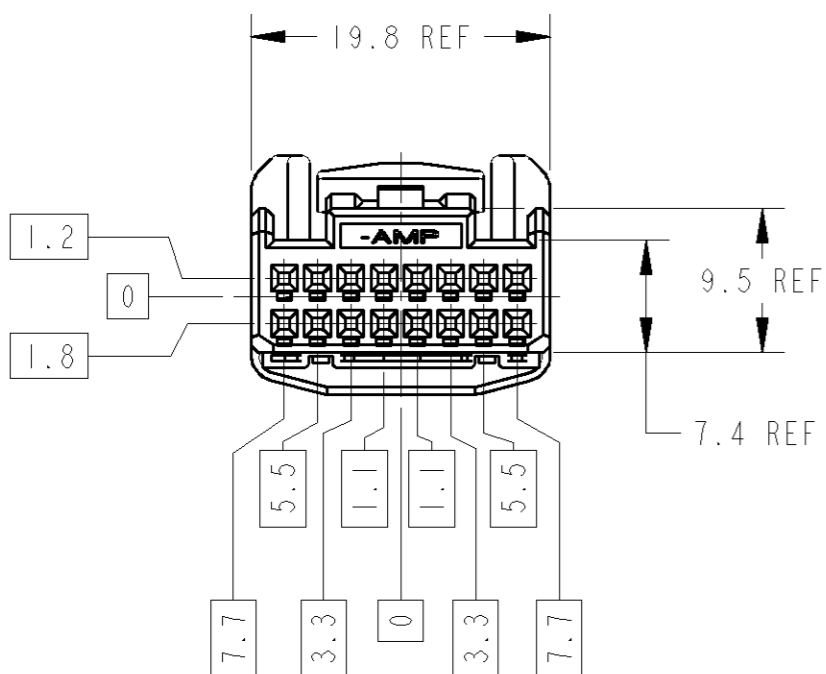
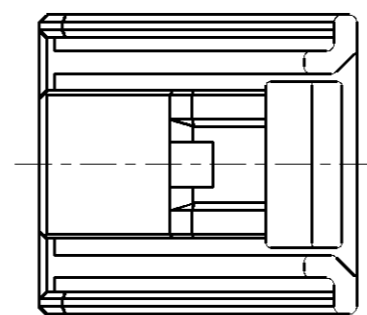


TABLE-1

POS 極数	CAP ASSEMBLY PART NO キャップ 型番
16	1318382

TABLE-2

		TERMINAL NO 端子型番	APPLICABLE WIRE RANGE 適用電線
SIGNAL 025	TIN	1123343-1	AVSS/CAVUS/AVSSH-f 0.3~0.5mm ² CAVS 0.22~0.5mm ²

PACKING STYLE 梱包形態		COLOR	PART NUMBER
PAPER BOX ダンボール	PLASTIC BAG ビニール袋	BLACK	1318386-2
PAPER BOX ダンボール	PLASTIC BAG ビニール袋	NATURAL	1318386-1
OUTER 外装	INNER 内装		

1. RETAINER SHOULD BE SET TO THE PRE- ASSEMBLY POSITION WITHIN THE PLUG HOUSING WHEN SHIPPED TO THE CUSTOMER
 2. THE RETENTION LATCH OF THE RETAINER MUST BE OUT SIDE OF PLUG HOUSING WHEN PRE-ASSEMBLY
 3. RETAINER RETENTION FORCE FROM HOUSING : 20N MIN
 4. INSTRUCTION SHEET NO : 411-5928
 5. PART NUMBER OF CAP HOUSING TO BE MATED : SEE TABLE -1
 6. APPLIED TERMINAL : SEE TABLE -2
- △ RETAINER IS THE SAME COLOR AS HOUSING.

1. プラグハウジングにリテーナーを仮止して出荷する
 2. 仮止時リテーナー突起がハウジングの外側に出ていること
 3. リテーナーの仮止保持力は 20N 以上
 4. 取扱い説明書 NO : 411-5928
 5. 嵌合相手型番は TABLE -1参照
 6. 適用端子は TABLE -2参照
- △ リテーナーはハウジング本体と同色とする。

THIS DRAWING IS A CONTROLLED DOCUMENT.

DIMENSIONS: 単位: ㎜	TOLERANCES UNLESS OTHERWISE SPECIFIED: 一般公差 = ± 0.3	DWN Y. NOGUCHI	10MAR00	TE Connectivity 025 SERIES 16 POSITION PLUG HOUSING ASSEMBLY			
	0-PLC ±	CHK N. SAI	10MAR00				
	1-PLC ±0.5	APVD N. SAI	10MAR00				
	2-PLC ±0.13	PRODUCT SPEC 製品規格			108-5668		
MATERIAL 材料	FINISH 仕上	APPLICATION SPEC 取付適用規格	WEIGHT	SIZE	CAGE CODE	DRAWING NO 番号	RESTRICTED TO
PBT	NATURAL	114-5250	2.78 g	A3	00779	C=1318386	

CUSTOMER DRAWING SCALE 5:1 SHEET 1 OF 1 REV B2

Mouser Electronics

Authorized Distributor

Click to View Pricing, Inventory, Delivery & Lifecycle Information:

[TE Connectivity:](#)

[1318386-1](#)