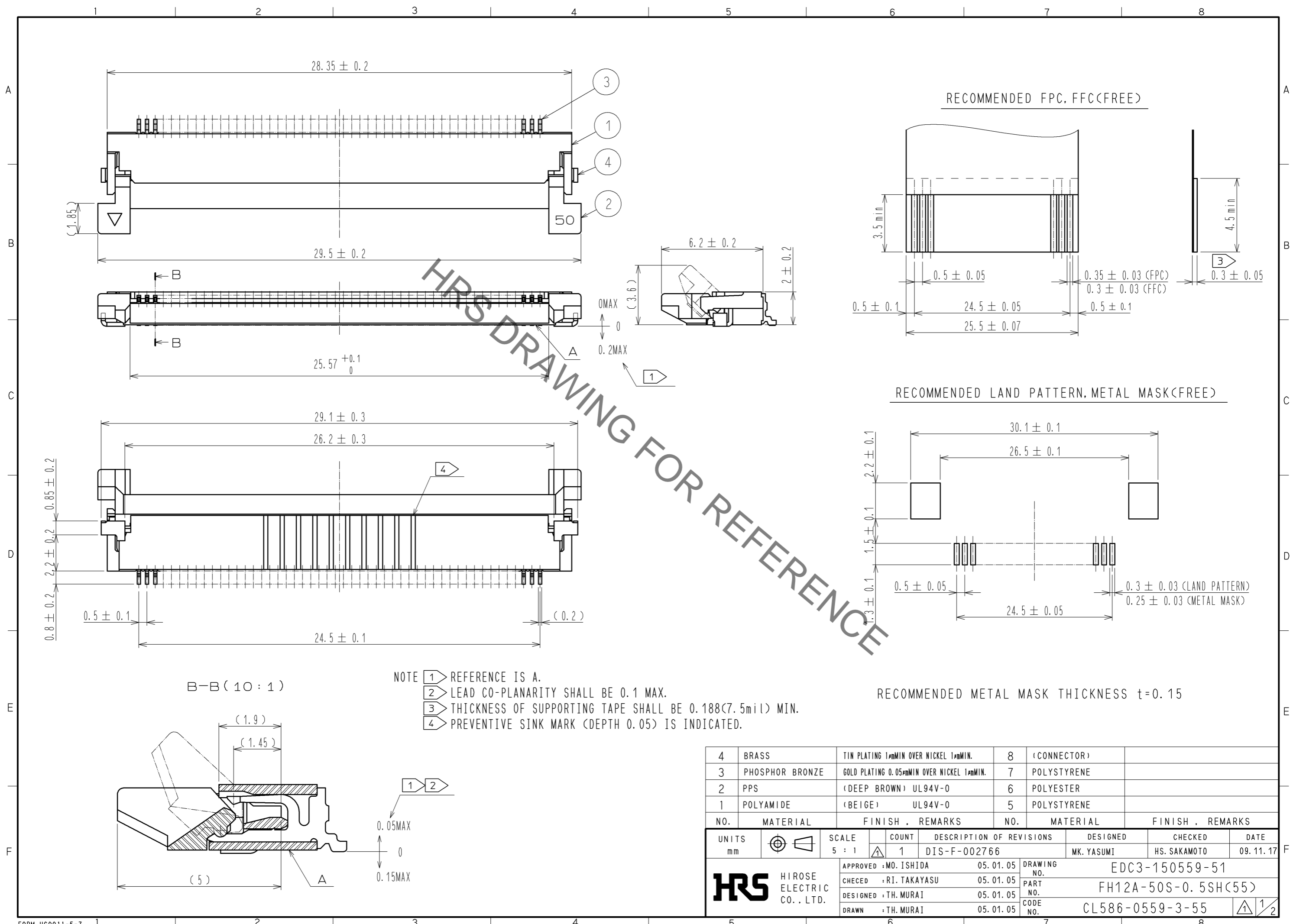
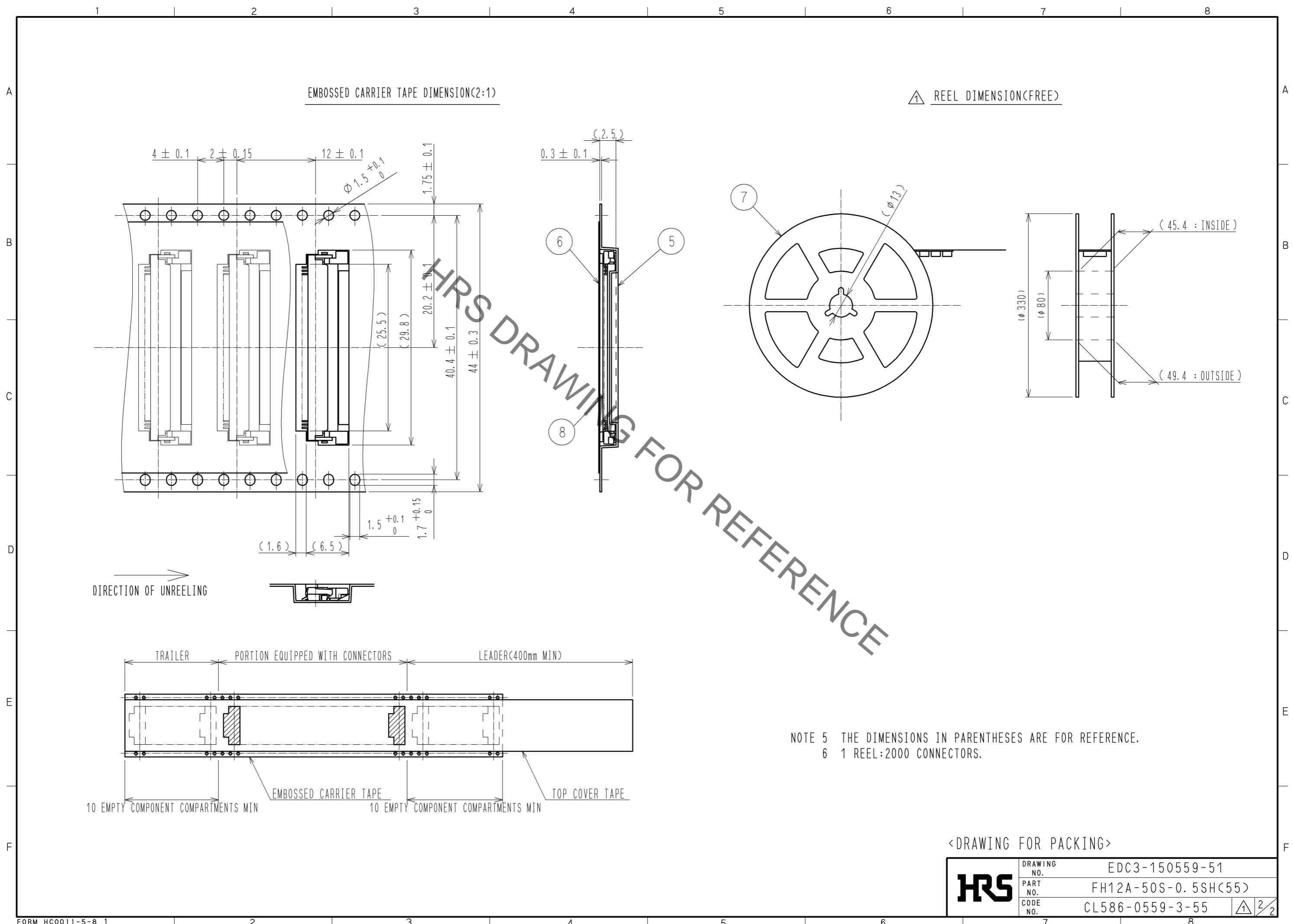


Oct.1.2021 Copyright 2021 HIROSE ELECTRIC CO., LTD. All Rights Reserved.  
In case of consideration for using Automotive equipment / device which demand high reliability, kindly contact our sales window correspondents.



4	BRASS	TIN PLATING 1μmMIN OVER NICKEL 1μmMIN.	8	(CONNECTOR)	
3	PHOSPHOR BRONZE	GOLD PLATING 0.05μmMIN OVER NICKEL 1μmMIN.	7	POLYSTYRENE	
2	PPS	(DEEP BROWN) UL94V-0	6	POLYESTER	
1	POLYAMIDE	(BEIGE) UL94V-0	5	POLYSTYRENE	
NO.	MATERIAL	FINISH . REMARKS	NO.	MATERIAL	FINISH . REMARKS
UNITS	mm	SCALE	5 : 1	COUNT	1
APPROVED : MO. ISHIDA			05.01.05		
CHECED : RI. TAKAYASU			05.01.05		
DESIGNED : TH. MURAI			05.01.05		
DRAWN : TH. MURAI			05.01.05		
DESCRIPTION OF REVISIONS				DESIGNED	09.11.17
DIS-F-002766				CHECKED	HS. SAKAMOTO
				DATE	
DRAWING NO.				EDC3-150559-51	
PART NO.				FH12A-50S-0.5SH(55)	
CODE NO.				CL586-0559-3-55	

Oct.1.2021 Copyright 2021 HIROSE ELECTRIC CO., LTD. All Rights Reserved.  
 In case of consideration for using Automotive equipment / device which demand high reliability, kindly contact our sales window correspondents.



<b>HRS</b>	DRAWING NO.	EDC3-150559-51
	PART NO.	FH12A-50S-0.5SH(55)
	CODE NO.	CL586-0559-3-55
		2/2